

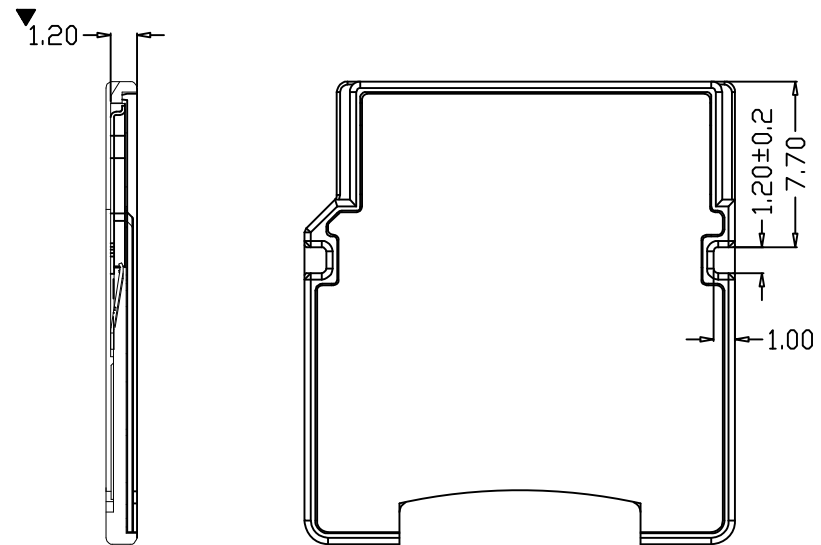
NOTE:

1.Material:

- 1.1 HOUSING COVER: HI-temp plastic UL 94v-0 Rated
- 1.2 CONTACT: COPPER ALLOY
- 1.3 SELECT PLATED GOLD ON CONTACT AREA

2.Specification:

- 2.1 Current Rating: 0.5A
- 2.2 Voltage Rated: 250V AC/DC
- 2.3 Dielectric Withstanding Voltage: AC 500V r.m.s
- 2.4 Insulation Resistance: 1000 MΩ Min at DC 250V
- 2.5 Contact Resistance: 100mΩ Max
- 2.6 Micro sd Card extraction force: 1.0N min
- 2.7 Durability: 10,000 mating cycles.
- 2.8 Operating Temperature: -25°~85°



SEC A-A

RoHS Compliant

TOLERANCES ARE

MORETHANALL
PCB CONNECTORS
Cable ASSEMBLIES

煜倫股份有限公司

www.morethanall.com

DRAWING BY CY

CHECKED BY GENIUS

UNIT / mm

SCALE 1 : 1

DATE

SIZE A4

PJECTION

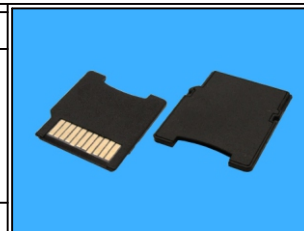
X. ± 0.50

.X ± 0.30

.XX ± 0.20

.XXX ±

ANG ±



ORDER INFORMATION

MSDTF-ES-1108-LF

SERIES

LEADFREE

11 TO 08 WAY

MALE TO FEMALE

DESCRIPTION: TF TO MINI SD 轉接卡