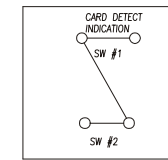
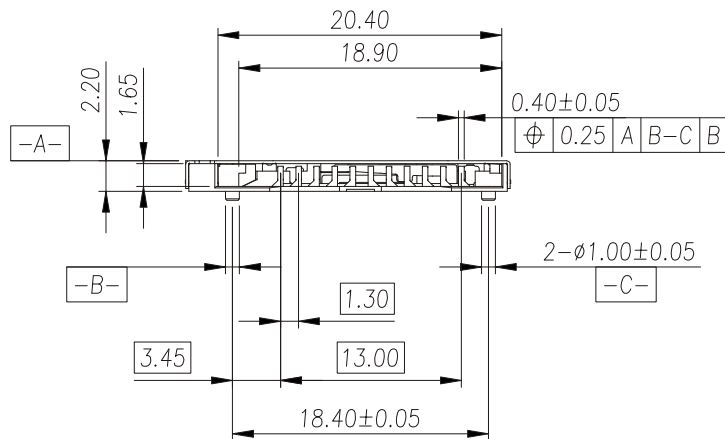


WITHOUT CARD



CARD INSERTED



RoHS Compliant

TOLERANCES ARE

**MORETHANALL**  
PCB CONNECTORS  
Cable ASSEMBLIES

DRAWING BY CY

X ±

CHECKED BY GENIUS

.X ± 0.20

UNIT / mm

SCALE 1 : 1

.XX ± 0.10

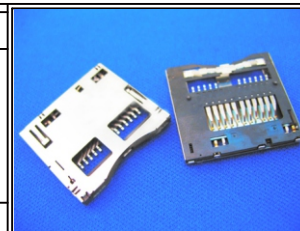
DATE

.XXX ±

ANG ±

SIZE A4

PJECTION



ORDER INFORMATION

MSDC-W18PC-11-LF

SERIES

LEADFREE

11 WAY

C TYPE

PUSH PUSH

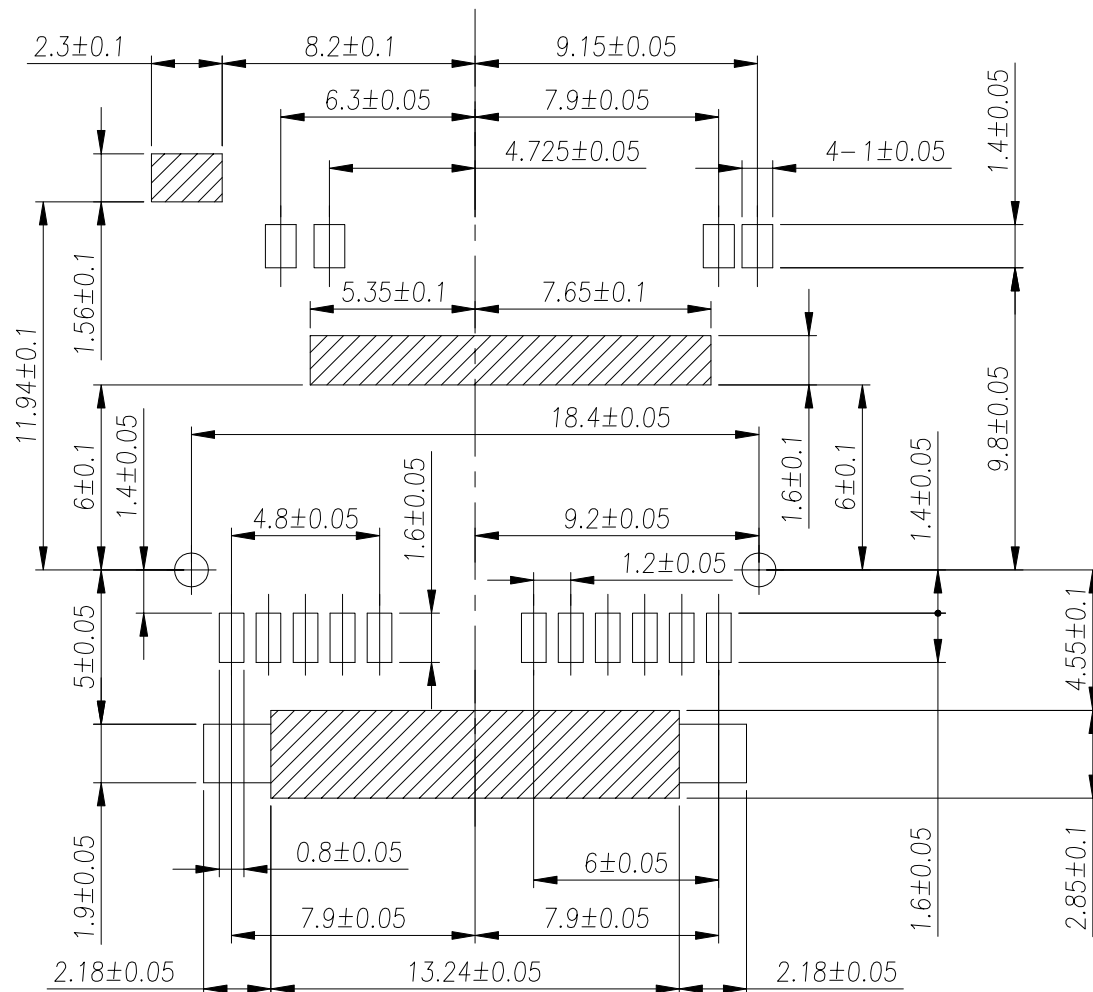
POST 18.40mm

90°SMT

煜倫股份有限公司

www.morethanall.com

DESCRIPTION: MINI SECURE DIGITAL MEMORY CARD PUSH-PUSH CONNECTOR TYPE A



NOTES:

1.  : PATTERN PROHIBITION AREA.

P.C.B Layout(TOP VIEW)

**RoHS Compliant**

TOLERANCES ARE

**MORETHANALL**  
PCB CONNECTORS  
Cable ASSEMBLIES

DRAWING BY CY

X, ±

CHECKED BY GENIUS

.X ± 0.20

UNIT / mm

SCALE 1 : 1

.XX ± 0.10

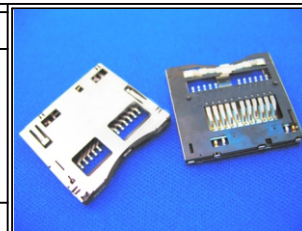
DATE

.XXX ±

ANG ±

SIZE A4

P PROJECTION 



**ORDER INFORMATION**

**MSDC-W18PC-11-LF**

SERIES

LEADFREE

11 WAY

C TYPE

PUSH PUSH

POST 18.40mm

90°SMT

**煜倫股份有限公司**

[www.morethanall.com](http://www.morethanall.com)

DESCRIPTION: MINI SECURE DIGITAL MEMORY CARD PUSH-PUSH CONNECTOR TYPE A