

MSDC-W16X-11-LF  
LEADFREE  
RoHS Compliant

**MORETHANALL**  
CONNECTORS  
ASSEMBLIES

PART NO. MSDC-W16X-11

DWG NO. MSDC-W16X-11

CHECKED BY CY

TOLERANCES ARE

DESCRIP TION:

FILE NO.

DRAWING BY

.X ± 0.2  
.XX ± 0.1  
.XXX ±  
AWG

煜倫股份有限公司

UNIT / mm

SCALE 1:1

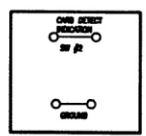
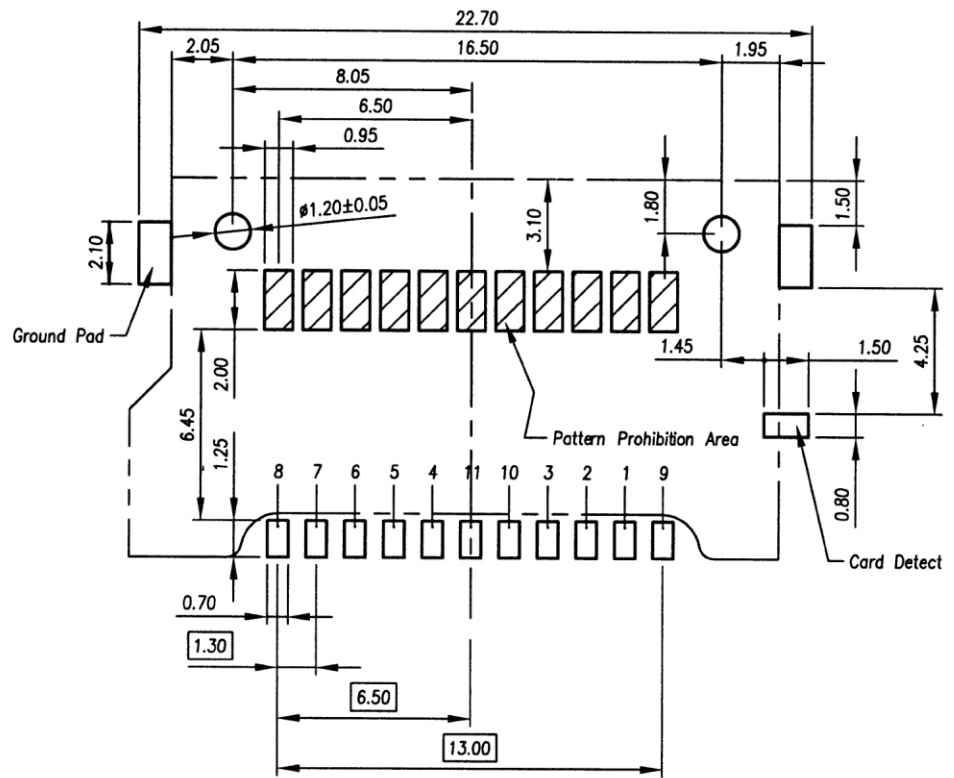
PROJECTION

AREA

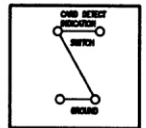
REVISIONS

HK

DATE



WITHOUT CARD



CARD INSERTED

MINI-SD CARD

NOTES:

- Material:  
 Housing: Thermoplastic UL94V-0  
 Color: Black  
 Contact: Phosphor Bronze.  
 Tin/Lead 100u" at Solder Tail, See "Ordering Information" for Contact Area Plating  
 Cover: Phosphor Bronze, Nickel plating for all.

RoHS Compliant



PART NO. MSDC-W16X-11

DWG NO. MSDC-W16X-11

CHECKED BY CY

TOLERANCES ARE

DESCRIP TION:

FILE NO.

DRAWING BY

.X ± 0.2  
.XX ± 0.1  
.XXX ±  
AWG

煜倫股份有限公司

UNIT / mm

SCALE 1:1

PROJECTION

AREA

REVISIONS

HK

DATE