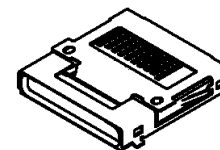
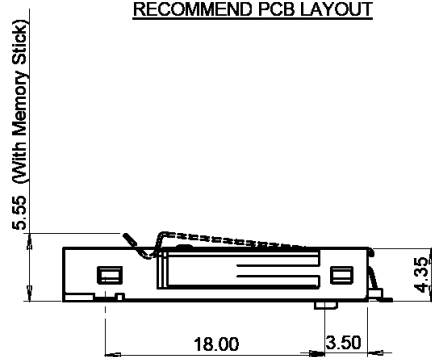
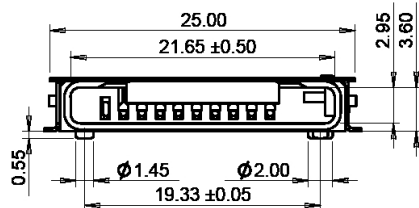


NOTES:
 1. MATERIAL:
 INSULATOR: HIGH TEMPERATURE THERMOPLASTIC,
 UL 94V-0, IVORY
 CONTACT: COPPER ALLOY



PIN DEFINITION

MS#1	VSS
MS#2	BS
MS#3	DATA1
MS#4	SDIO/DATA0
MS#5	DATA2
MS#6	INS
MS#7	DATA3
MS#8	SCLK
MS#9	VCC
MS#10	VSS



MSC-W19XA-10-LF
 LEADFREE
 RoHS Compliant

MORETHANALL
 CONNECTORS
 ASSEMBLIES

PART NO. MSC-W19XA-10

DWG NO. MSC-W19XA-10

FILE NO.

UNIT / mm

SCALE 1:1

CHECKED BY CY

DRAWING BY

PROJECTION

TOLERANCES ARE

.X ± 0.2
 .XX ± 0.1
 .XXX ±
 AWG

DESCRIPTION:

MemoryStick & MemoryStick Duo
 Connector Reverse type

AREA

REVISIONS

HK

DATE

煜倫股份有限公司