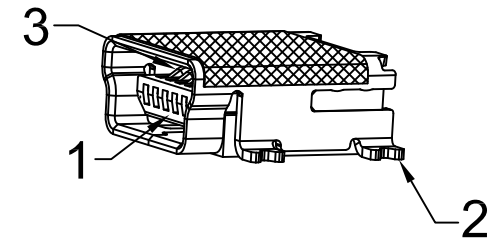


RECOMMENDED PCB LAYOUT
TOP VIEW

TOLERANCE: ±0.05mm

PCB THICKNESS: 0.80±0.05mm

NO.	NAME	MATERIAL	FINISH
1	Housing	High-Thermoplastic	
2	Shell	Copper Alloy	Ni Plated
3	Terminal	Copper Alloy	Gold - Tin Plated



RoHS Compliant

TOLERANCES ARE

MORETHANALL
PCB CONNECTORS
Cable ASSEMBLIES

DRAWING BY CY

X. ± 0.30

CHECKED BY GENIUS

.X ± 0.25

UNIT / mm

SCALE 1 : 1

.XX ± 0.15

.XXX ± 0.075

DATE

ANG ±

SIZE A4

PPOJECTION

照片框

ORDER INFORMATION

MSB-SWXCR-5B-LF
SERIES | | | | LEADFREE
FEMALE | | | | REEL
NON POST
90°SMT

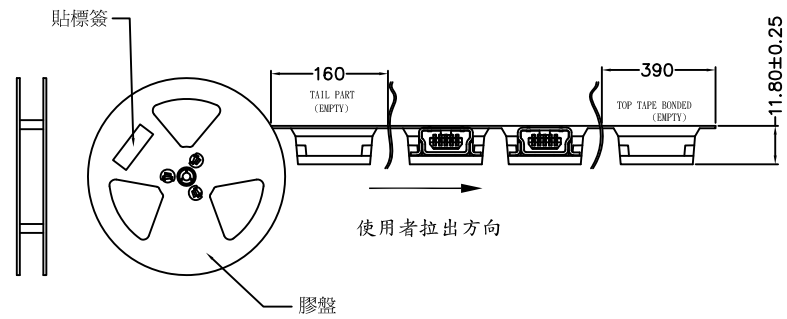
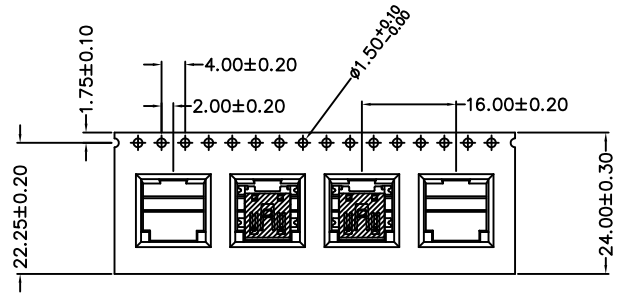
煜倫股份有限公司

www.morethanall.com

DESCRIPTION: Mini USB B Type Receptacle Horizontal SMT

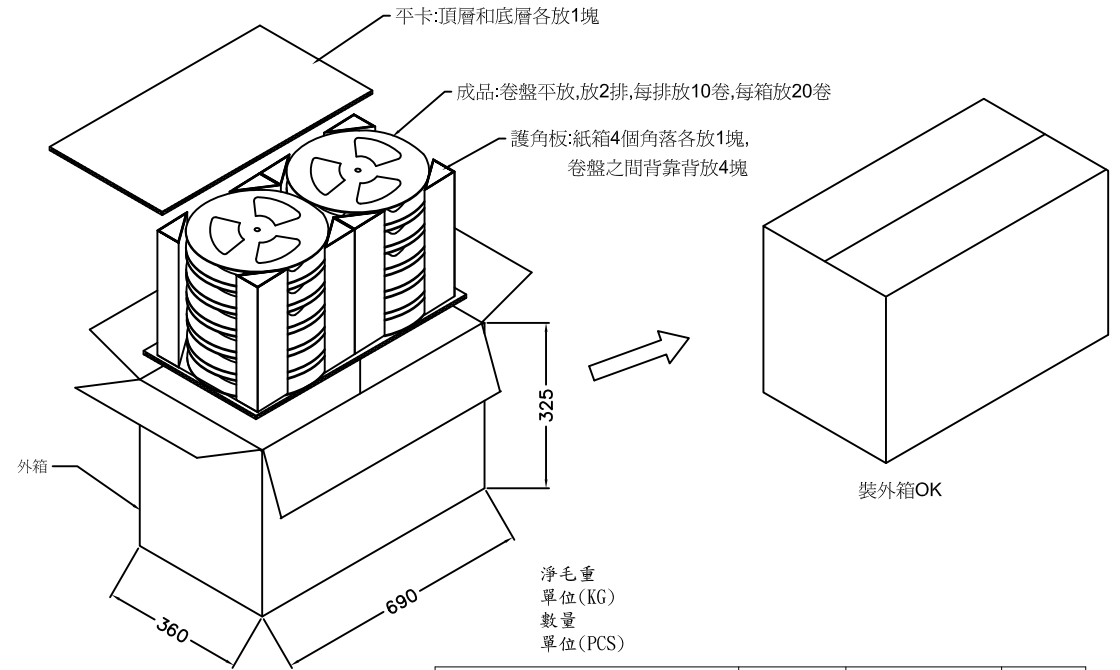
1.

包材: 卷料式包裝帶 1 SET
 流程單編號標籤 1 PC
 無鉛製程標籤 (Pb) 1 PC
 數量: 1*700=700 PCS
 PACKING MATERIAL: PS TAPE REEL 1 SET
 Q' TY: 1*700=700 PCS



2.

包材: 外箱 1 PC
 無鉛製程標籤 (Pb) 1PC
 平卡/紙板 2PC
 數量: 700*20=14000 PCS
 PACKING MATERIAL: CARTON 1 PC
 Q' TY: 700*20=14000 PCS



淨毛重
 單位(KG)
 數量
 單位(PCS)

P/N	N.W.	G.W.	Q'TY
MSB-SWXCR-5B	8.2Kg	18.2±0.3Kg	14000

裝外箱圖示

RoHS Compliant

TOLERANCES ARE

MORETHANALL
 PCB CONNECTORS
 Cable ASSEMBLIES

煜倫股份有限公司

www.morethanall.com

DRAWING BY CY

CHECKED BY GENIUS

UNIT / mm SCALE 1 : 1

DATE

SIZE A4

PPOJECTION

X, ±
 .X ±
 .XX ±
 .XXX ±
 ANG ±

照片框

ORDER INFORMATION

MSB-SWXCR-5B-LF
 SERIES REEL LEADFREE
 FEMALE MYLAR NON POST 5 PIN B TYPE
 90°SMT

DESCRIPTION: