

Note:

1.Material:

- 1.1 Insulator: LCP UL 94-V0 rated.
- 1.2 Contact: Phosphor bronze, t=0.25mm.
- 1.3 Shell: Phosphor bronze, t=0.4mm.

2.specification:

- 2.1 Current rating:1A MAX.
- 2.2 Dielectric withstanding voltage:500 v(ac) far minuta.
- 2.3 Contact resistance: 30 mΩ max.
- 2.4 Insulation resistance: 1000 MΩ min at DC 500V.
- 2.5 Total mating force: 3.57 kgf max.
- 2.6 Total unmating force: 0.71 kgf min.
- 2.7 Temperature range: -55°C~+105°C.

3.Finishes:

- 3.1 Contacts: Gold flashed 1U",3U",5U",10U",15U",30U"
- 3.2 Shell: Nickel plated.

3	SHELL	1	Phosphor Bronze	T=0.40±0.02mm	Nickel Plated
2	CONTACT	5	Phosphor Bronze	T=0.25±0.02mm	Gold Flashed
1	HOUSING	1	LCP		Black
No.	Part Name	Q'ty	Material	Thickness	Finish

RoHS Compliant

TOLERANCES ARE

MORETHANALL
PCB CONNECTORS
Cable ASSEMBLIES

煜倫股份有限公司

www.morethanall.com

DRAWING BY CY

CHECKED BY GENIUS

UNIT / mm

SCALE 1 : 1

DATE

SIZE A4

X, ±
.X ± 0.30
.XX ± 0.20
.XXX ± 0.10
ANG ± 1°

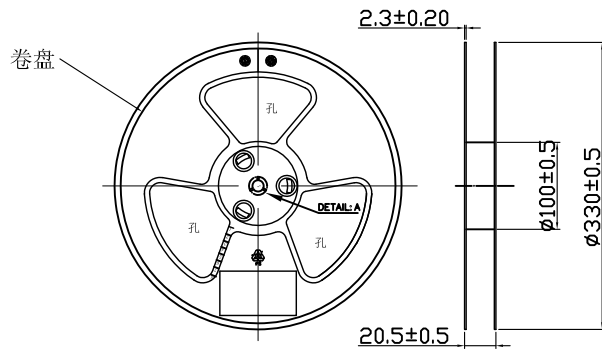
PJECTION

照片框

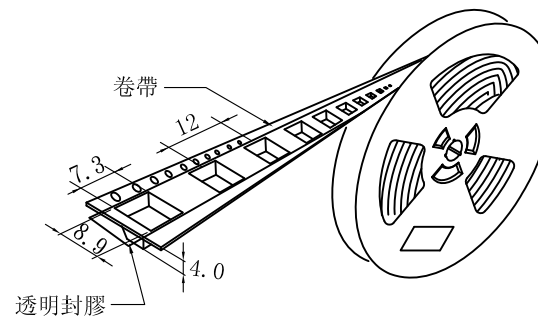
ORDER INFORMATION

MSB-SWXCR-5AB-LF
SERIES | | | | | LEADFREE
| | | | | 5 PIN AB TYPE
FEMALE | | | | | REEL
| | | | | MYLAR
| | | | | NON POST
| | | | | 90°SMT

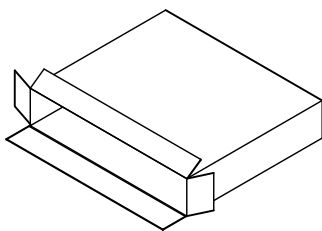
DESCRIPTION: MINI-U.S.B 5P A/B FEMALE S.M.T (無腳)



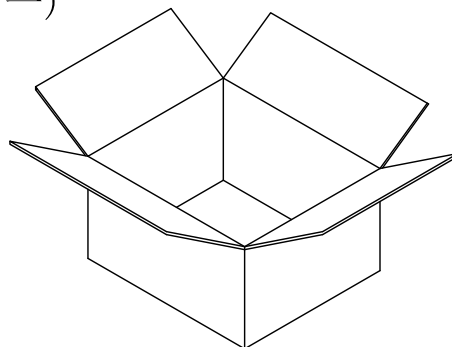
卷帶盤 (圖一)



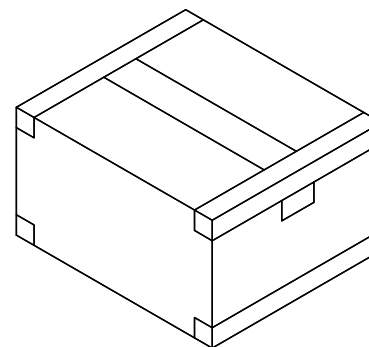
卷裝圖示 (圖二)



未封好
內紙箱
(圖三)
包裝說明



未封好
外紙箱
(圖四)



封好外
紙箱
(圖五)

1. 每卷帶盤裝1500PCS,不可少數,成品在盤內不可活動,裝好後使用自動卷裝機粘合上透明封膠.如圖(一,二)所示.卷帶盤規格為 $\phi 330.0 \times 20.5$ MM.
2. 將裝好的卷帶盤放入內紙箱內,每個內紙箱放2盤,用透明膠密封,再將封裝好的內紙箱放入外紙箱中,每個外紙箱放8個內紙箱,共有產品24.0K,最後用透明膠密封外紙箱.如圖(三,四,五)所示.內紙箱規格為 $350 \times 350 \times 58$ MM,外紙箱規格為 $355 \times 368 \times 530$ MM
3. 紙箱外貼上環保標籤,合格標籤,產品規格說明,並且貼在外箱側面的箱面規格說明的右上方(僅貼一側)
4. 包裝材料:(JPL007,RR002,ZX011,ZX004)

RoHS Compliant

TOLERANCES ARE

MORETHANALL
PCB CONNECTORS
Cable ASSEMBLIES
煜倫股份有限公司

DRAWING BY CY

X, ±

CHECKED BY GENIUS

.X ±

UNIT / mm

SCALE 1 : 1

.XX ±

DATE

.XXX ±

ANG ±

SIZE A4

PJECTION

照片框

ORDER INFORMATION

MSB-SWXCR-5AB-LF
SERIES | | | | LEADFREE
FEMALE | | | | REEL
NON POST
90°SMT

DESCRIPTION:

www.morethanall.com