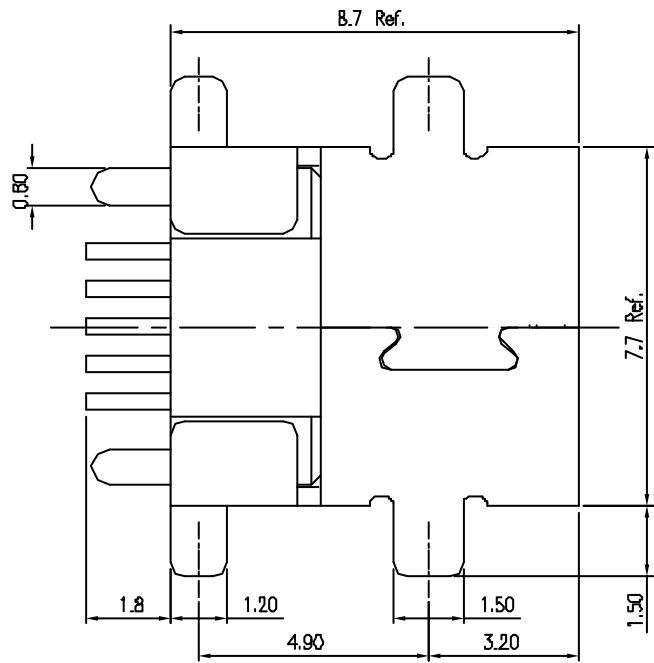


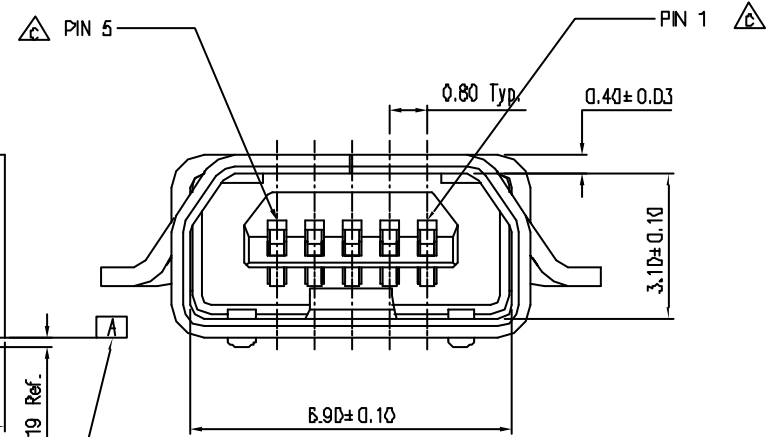
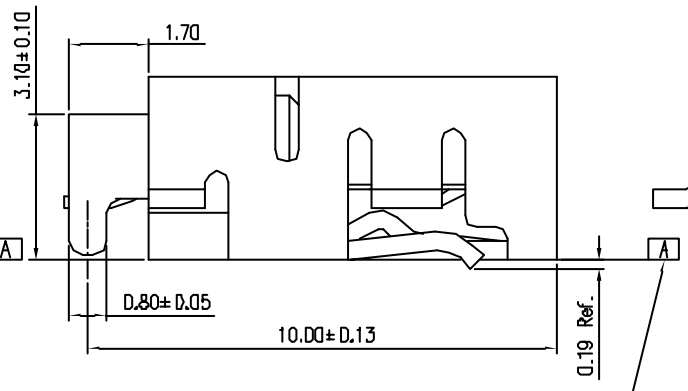
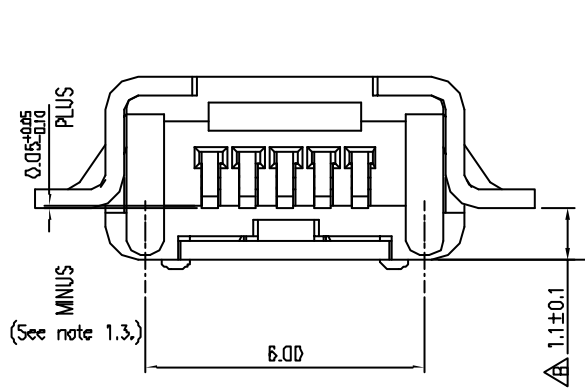
1 2 3 4 5 6 7 8 9 0

J  
I  
H  
G  
F  
E  
D  
C  
B  
A



MSB-SWRVP-5AB-LF  
LEADFREE  
RoHS Compliant

| 3    | CONTACT | 5   |       | COPPER ALLOY/ SEE TABLE A<br>CONTACT AREA: SELECTIVE GOLD PLATING<br>SOLDER TAIL: Tin/Lead over Ni Plated |
|------|---------|-----|-------|---|
| 2    | HOUSING | 1   |       | HIGH TEMPERATURE THERMOPLASTIC,<br>GLASS FIBER, 04V-0 RATED   |
| 1    | SHELL   | 1   |       | COPPER ALLOY/Matt Tin over Copper   |
| ITEM | NAME    | QTY | PART# | MATERIAL / FINISH   |



Datum A for shell

**MORETHANALL**  
CONNECTORS  
ASSEMBLIES

焜倫股份有限公司

PART NO. MSB-SWRVP-5AB

DWG NO. MSB-SWRVP-5AB

FILE NO.

UNIT / mm

SCALE 1:1

CHECKED BY CY

DRAWING BY

PROJECTION

TOLERANCES ARE

.X ± 0.2  
.XX ±  
.XXX ±  
AWG

DESCRIPTION:

MINICONN. MINI USB  
MINI-AB, RESEP. 5MT. REVERSE

AREA

REVISIONS

HK

DATE

- 1.0. OTHERS :  
 1.1. PRODUCT SPECIFICATION : CSP-MNC10-00-00  
 1.2. RECDMMENDE PC BOARD THICKNESS 0.80mm  
 1.3. SHELL AND CONTACT COPLANARITY IS 0.10 MAX.  
 1.4. RECOMMENDED PC BOARD MOUNTING DIMMENSION : REFER FIGURE A

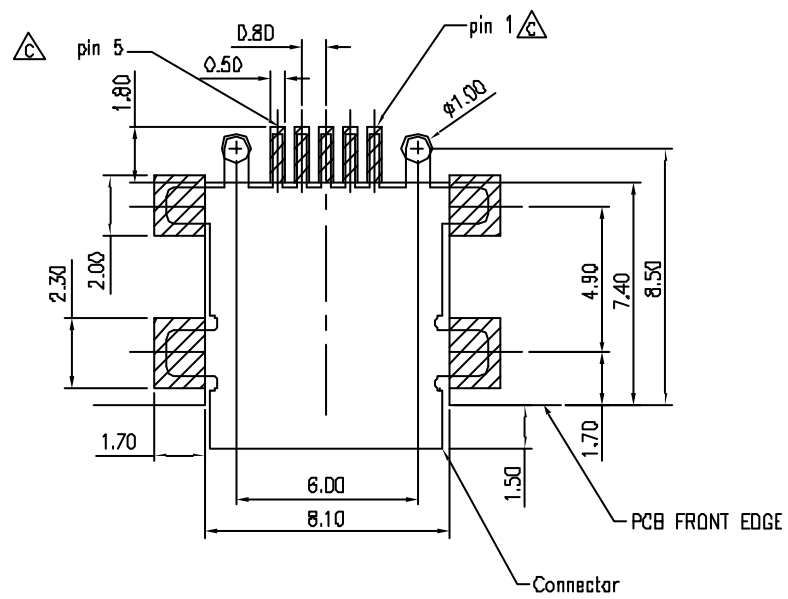
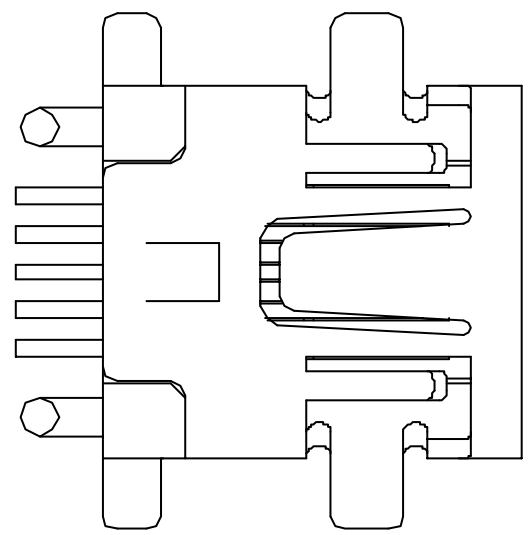
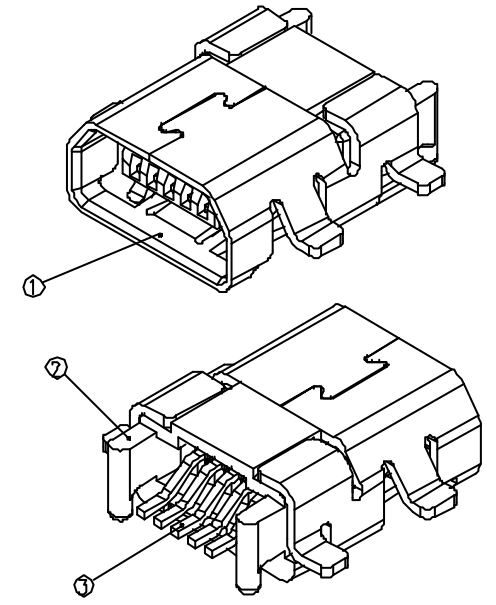


FIGURE A : Printed Circuit Board (PCB) Layout(SCALE 5 : 1)



Bottom View



(SCALE 5 : 1)



PART NO. MSB-SWRVP-5AB

DWG NO. MSB-SWRVP-5AB

CHECKED BY CY

TOLERANCES ARE

DESCRIPTION:

MINICONN. MINI USB  
 MINI-AB, RESEP. SMT. REVERSE

FILE NO.

DRAWING BY

.X ± 0.2  
 .XX ±  
 .XXX ±  
 AWG

AREA

REVISIONS

HK

DATE

煜倫股份有限公司

UNIT / mm

SCALE 1:1

PROJECTION