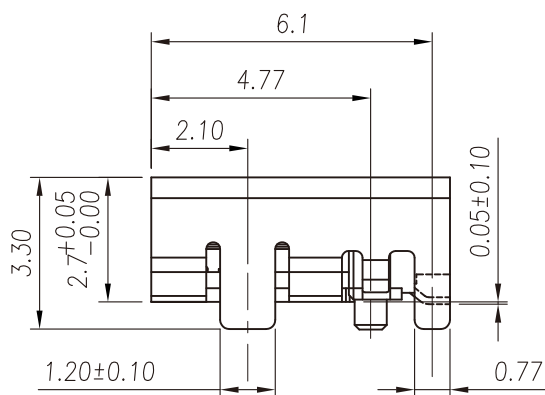
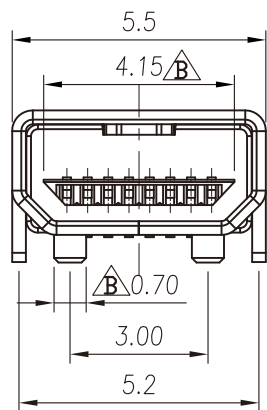


PCB LAYOUT

1. MATERIAL :
 - 1-1. HOUSING : LCP ; COLOR : BLACK
 - 1-2. CONTACT : PHOSPHOR BRONZE
 - 1-3. SHELL : PHOSPHOR BRONZE
2. FINISH :
 - 2-1. CONTACT : GOLD 10u"
 - UNDER PLATE : NICKEL
 - 2-2. SHELL : GOLD FLASH OVER ALL
 - UNDER PLATE : NICKEL



RoHS Compliant

TOLERANCES ARE

MORETHANALL
PCB CONNECTORS
Cable ASSEMBLIES

煜倫股份有限公司

www.morethanall.com

DRAWING BY CY

CHECKED BY GENIUS

UNIT / mm SCALE 1 : 1

DATE

SIZE A4

X.±

.X±

.XX±

.XXX±

ANG±

PPOJECTION

照片框

ORDER INFORMATION

MSB-SWR-8AB-LF
SERIES | REEL | LEADFREE
90°SMT | 8 PIN AB TYPE
FEMALE

DESCRIPTION: MINI USB 8(F) 贴片式 SMT

步驟一:

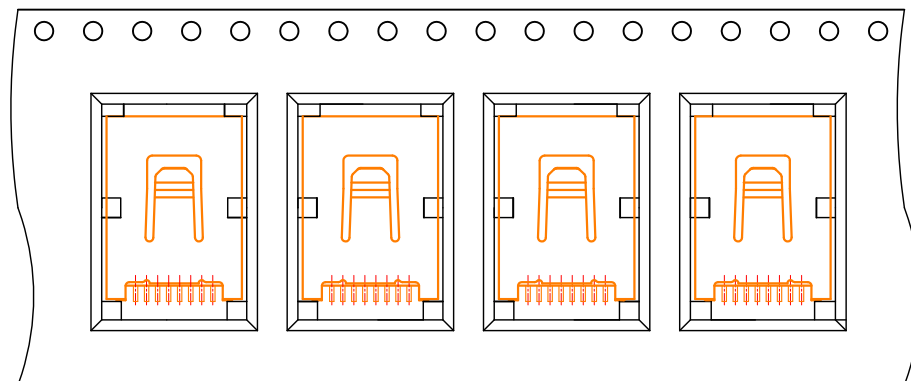
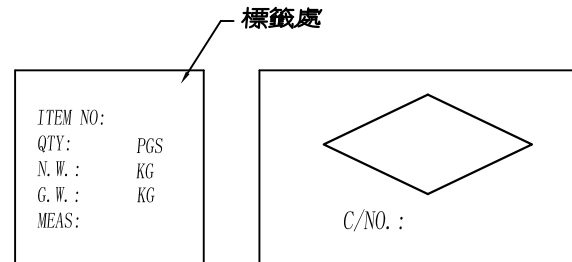
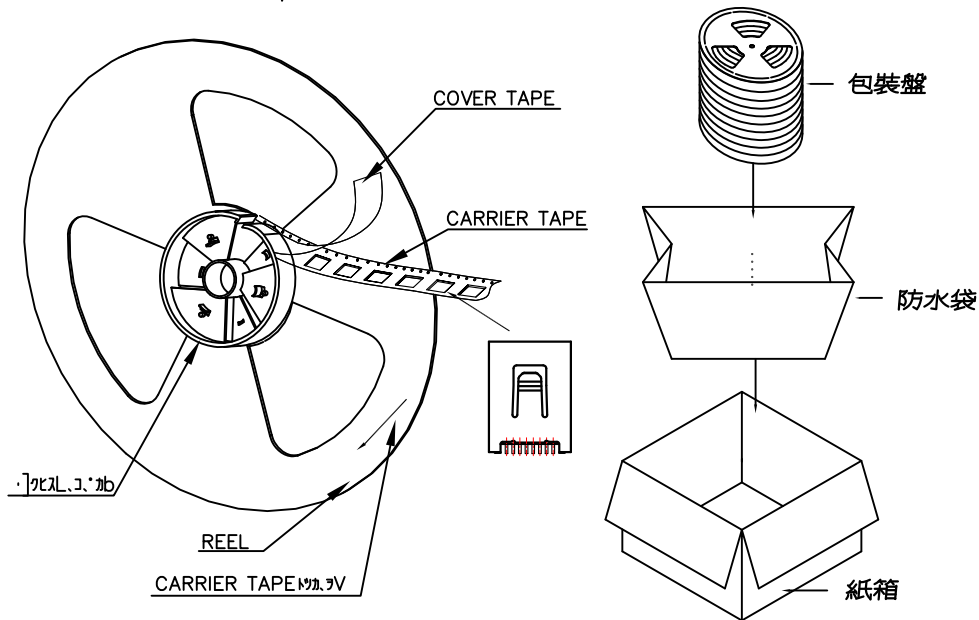
1. 將成品一一放入包裝盤內, 依同一方向置入.
2. 包裝方式, 如圖所示.
3. 一個包裝盤內 1200 pcs.

步驟二:

1. 一個紙箱可以裝 14 個包裝盤.
2. 每盤 1200 pcs, 每箱 16800 pcs.
3. 將包裝盤放入防水袋中, 包裝完後再封箱.

步驟三:

1. 用膠帶將紙箱封實.
2. 將標籤貼於紙箱上.



NOTE:

1. 若有未裝滿之零數箱, 必須以緩衝材塞滿.
2. 在搬運過程中要輕拿輕放.
3. 載運輸中不可堆放過多, 不可有重壓現象.
4. 在裝滿產品後, 必須空留帶前和帶後 15 格以上, 然後用紙膠布貼上.
5. 上帶在貼下帶時必須平整, 且黏貼處不要出現氣泡.

RoHS Compliant

TOLERANCES ARE

MORETHANALL
PCB CONNECTORS
Cable ASSEMBLIES

DRAWING BY CY

CHECKED BY GENIUS

UNIT / mm

SCALE 1 : 1

DATE

SIZE A4

X, ±
.X ±
.XX ±
.XXX ±
ANG ±

PJECTION

照片框

ORDER INFORMATION

MSB-SWR-8AB-LF
SERIES | REEL | LEADFREE
8 PIN AB TYPE
90°SMT
FEMALE

煜倫股份有限公司

www.morethanall.com

DESCRIPTION: MINI USB 8(F) 轉式 SMT