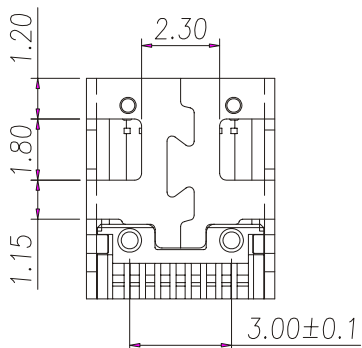
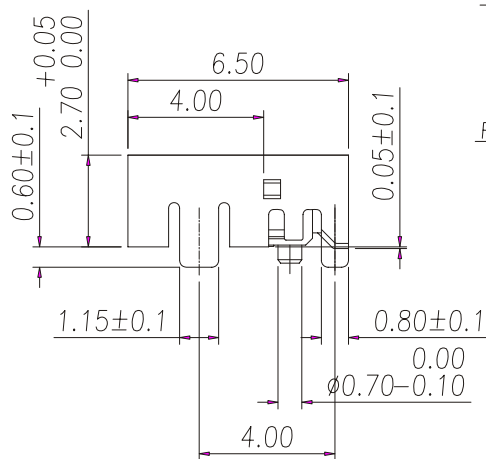
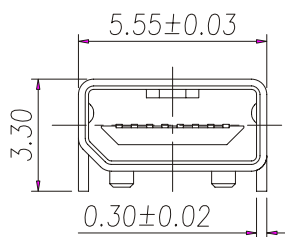
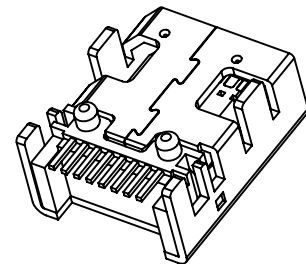


RECOMMENDED P.C.B. LAYOUT



Specifications:

1.Electrical:

- 1-1 Rating: AC 250V/1A
- 1-2 Contact Resistance: 50m Ohm or less
- 1-3 Insulation Resistance: 100M Ohm Min at DC500V
- ▲ 1-4 Dielectric Withstanding Voltage: AC 100V for 1 minute(Cut-off: 0.5mA)

2.Mechanical:

- 2-1 Insertion force: 35N (3.57kgf) max.
- 2-2 Withdrawal Force: 1N (0.1kgf) min.

3.Operation Temperature and Time:

- 3-1 Temperature: 245 +/- 5 degree C
- 3-2 Time: 6 to 8 seconds

NOTE:

1.MATERIAL

- 1-1 CONTACT: PHOSPHOR BRONZE
- 1-2 HOUSING: LCP
- 1-3 SHELL: PHOSPHOR BRONZE

2.PLATING

- 2-1 CONTACT: GOLD 10u"
- 2-2 SHELL: GOLD FLASH

BOM	
8	CONTACT
1	SHELL
1	HOUSING
數量	零件

RoHS Compliant

TOLERANCES ARE



煜倫股份有限公司

www.morethanall.com

DRAWING BY CY

CHECKED BY GENIUS

UNIT / mm SCALE 1 : 1

DATE

SIZE A4

X, ±
.X ±
.XX ±
.XXX ±
ANG ±

P PROJECTION

照片框

ORDER INFORMATION

MSB-SWR-8A-LF
SERIES | | | LEADFREE
8 PIN A TYPE
REEL
90°SMT
FEMALE

DESCRIPTION: MINI USB 8PIN (F) 單排 DIP 單缺口

步驟一:

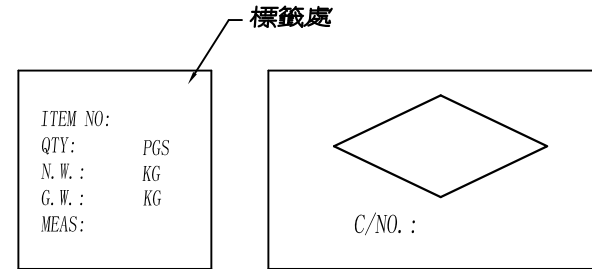
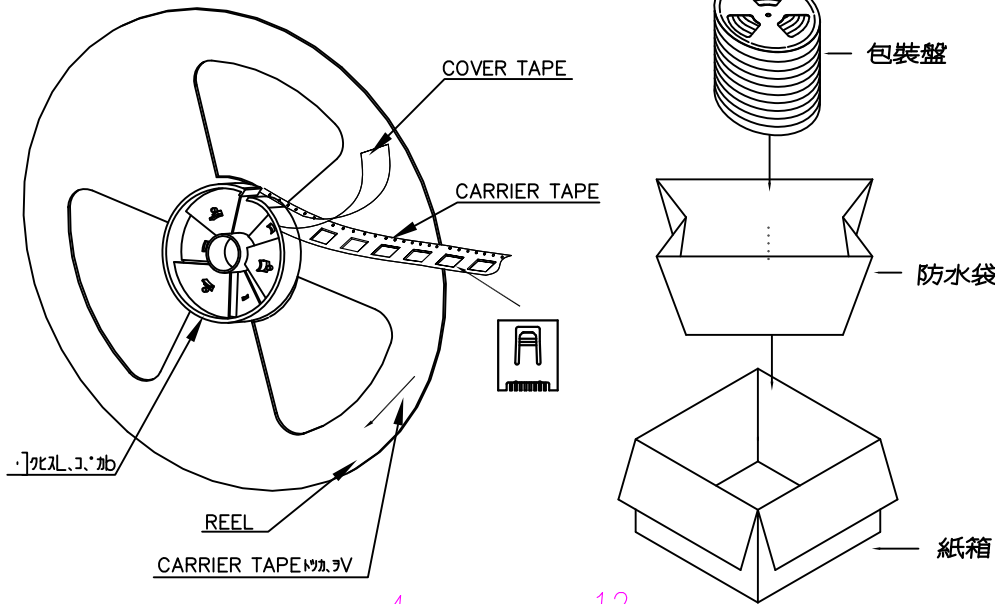
1. 將成品一一放入包裝盤內,依同一方向置入.
2. 包裝方式,如圖所示.
3. 一個包裝盤內1200pcs.

步驟二:

1. 一個紙箱可以裝14個包裝盤.
2. 每盤1200pcs,每箱16800pcs.
3. 將包裝盤放入防水袋中,包裝完後再封箱.

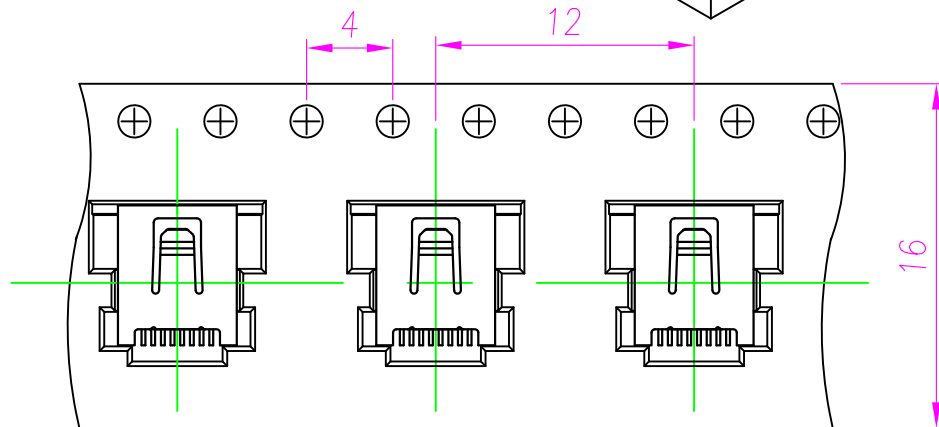
步驟三:

1. 用膠帶將紙箱封實.
2. 將標籤貼於紙箱上.



NOTE:

1. 若有未裝滿之零數箱,必須以緩衝材塞滿.
2. 在搬運過程中要輕拿輕放.
3. 載運輸中不可堆放過多,不可有重壓現象.
4. 在裝滿產品後,必須空留帶前和帶後15格以上,然後用紙膠布貼上.
5. 上帶在貼下帶時必須平整,且黏貼處不要出現氣泡.



RoHS Compliant

TOLERANCES ARE

MORETHANALL
PCB CONNECTORS
Cable ASSEMBLIES

DRAWING BY CY

CHECKED BY GENIUS

UNIT / mm

SCALE 1 : 1

DATE

SIZE A4

PJECTION

X, ±
.X ±
.XX ±
.XXX ±
ANG ±

照片框

ORDER INFORMATION

MSB-SWR-8A-LF
SERIES | | | LEADFREE
| | | 8 PIN A TYPE
| REEL
| 90°SMT
FEMALE

煜倫股份有限公司

www.morethanall.com

DESCRIPTION: MINI USB 8PIN (F) 單排 DIP 單缺口