

RECOMMEND PCB LAYOUT ±0.05

NOTE:

1.ELECTRICAL PROPERTIES:

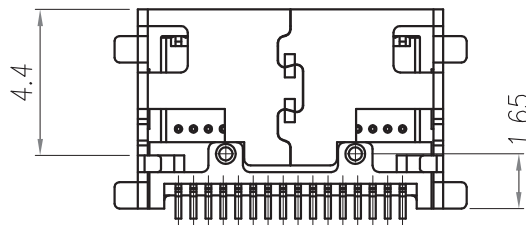
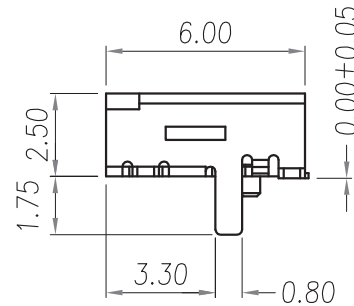
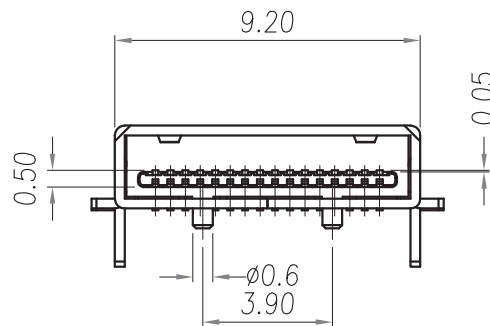
- 1-1.RATING:DC 30V/1A.
- 1-2.CONTACT RESISTANCE:30m Ohm MAX
- 1-3.INSULATION RESISTANCE:500M Ohm MIN AT DC100V.
- 1-4.DIELECTRIC WITHSTANDING VOLTAGE:AC 250V/1 MINUTE.

2.MATERIAL:

- 2-1.PIN:PHOSPHOR BRONZE(C5191R).
- 2-2.HOUSING: LCP(E480i).
- 2-3.SHELL:PHOSPHOR BRONZE(C5210R).

3.PLATING:

- 3-1.PIN: GOLD 10u" MIN ON CONTACT AREA,
SHINE TIN 80u" MIN ON SOLDER TAILS,
UNDERPLATED NICKEL OVER ALL 50u" MIN.
- 3-2.SHELL: GOLD FLASH/ NICKEL OVER ALL 50u" MIN.



RoHS Compliant

TOLERANCES ARE

MORETHANALL
PCB CONNECTORS
Cable ASSEMBLIES

煜倫股份有限公司

www.morethanall.com

DRAWING BY CY

CHECKED BY GENIUS

UNIT/mm SCALE 1:1

DATE

SIZE A4

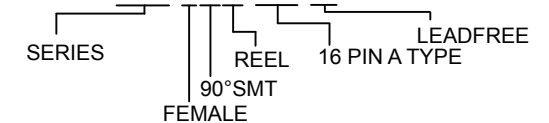
X, ±
.X ± 0.20
.XX ± 0.10
.XXX ± 0.05
ANG ± 1°

PJECTION

照片框

ORDER INFORMATION

MSB-SWR-16A-LF



DESCRIPTION: MINI USB 16PIN(F) SOCKET

步驟一:

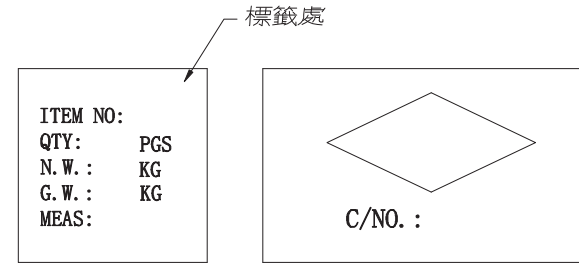
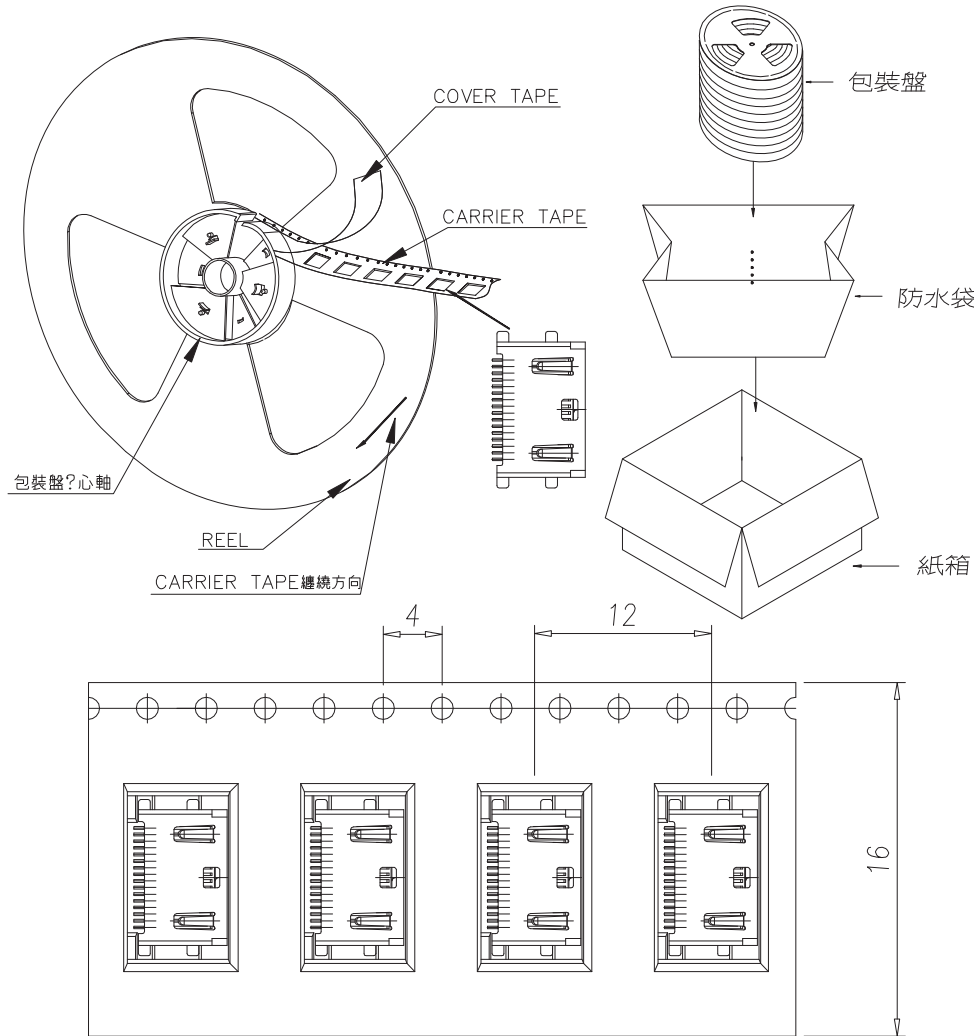
1. 將成品一一放入包裝盤內, 依同一方向置入.
2. 包裝方式, 如圖所示.
3. 一個包裝盤內 1 100pcs.

步驟二:

1. 一個紙箱可以裝 1 4個包裝盤.
2. 每盤 1 100pcs, 每箱 15 400pcs.
3. 將包裝盤放入防水袋中, 包裝完後再封箱.

步驟三:

1. 用膠帶將紙箱封實.
2. 將標籤貼於紙箱上.



NOTE:

1. 若有未裝滿之零數箱, 必須以緩衝材塞滿.
2. 在搬運過程中要輕拿輕放.
3. 載運輸中不可堆放過多, 不可有重壓現象.
4. 在裝滿產品後, 必須空留帶前和帶後 1 5格以上, 然後用紙膠布貼上.
5. 上帶在貼下帶時必須平整, 且黏貼處不要出現氣泡.

RoHS Compliant

TOLERANCES ARE

MORETHANALL
PCB CONNECTORS
Cable ASSEMBLIES

煜倫股份有限公司

www.morethanall.com

DRAWING BY CY

CHECKED BY GENIUS

UNIT/ mm

SCALE 1:1

DATE

SIZE A4

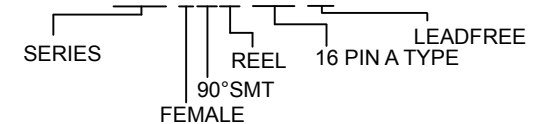
P PROJECTION

X, ±
X ± 0.20
.XX ± 0.10
.XXX ± 0.05
ANG ± 1°

照片框

ORDER INFORMATION

MSB-SWR-16A-LF



DESCRIPTION: MINI USB 16PIN(F) SOCKET