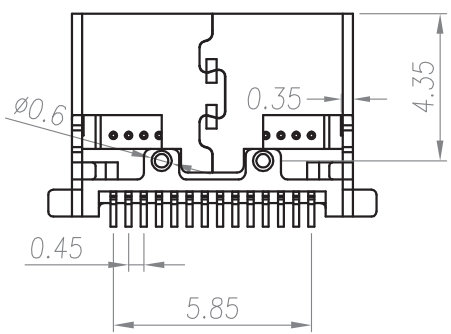
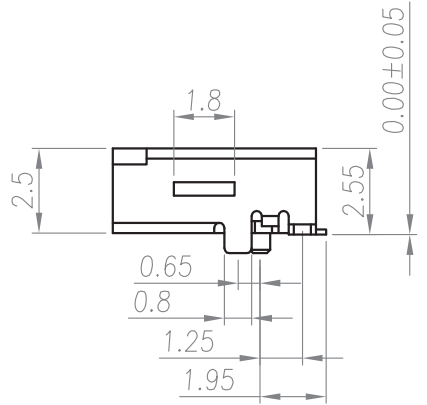
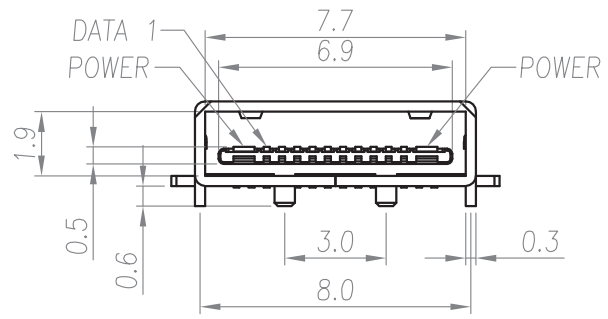


RECOMMEND PCB LAYOUT ±0.05



1. MATERIAL :
  - 1-1. HOUSING : LCP UL94V-0 ; COLOR : BLACK
  - 1-2. CONTACT : PHOSPHOR BRONZE
  - 1-3. SHELL : PHOSPHOR BRONZE
2. FINISH :
  - 2-1. CONTACT :
    - CONTACT AREA : GOLD 10u"
    - SOLDER AREA : GOLD FLASH
    - UNDER PLATE : NICKEL
  - 2-2. SHELL : GOLD FLASH OVER ALL
  - UNDER PLATE : NICKEL



煜倫股份有限公司

www.morethanall.com

RoHS Compliant

DRAWING BY CY

CHECKED BY GENIUS

UNIT/mm SCALE 1:1

DATE

SIZE A4

TOLERANCES ARE

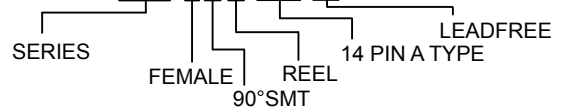
X. ±  
 .X ± 0.20  
 .XX ± 0.10  
 .XXX ± 0.05  
 ANG ± 1°

P PROJECTION

照片框

ORDER INFORMATION

MSB-SWR-14A-LF



DESCRIPTION: MINI USB SMT 14PIN

步驟一:

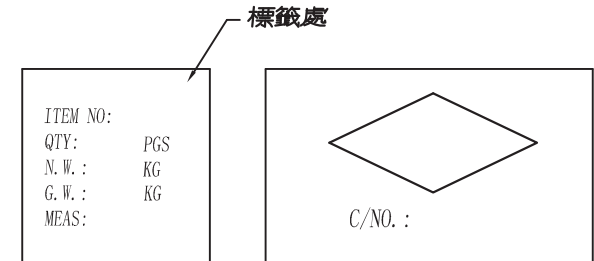
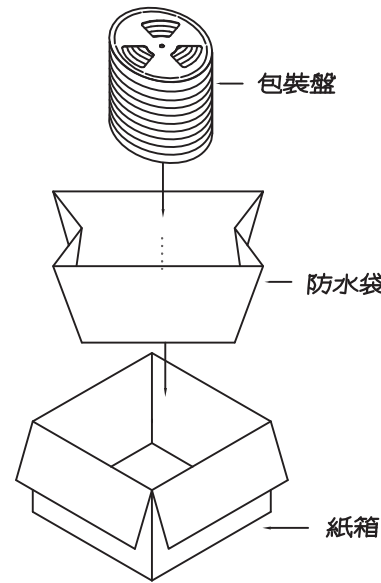
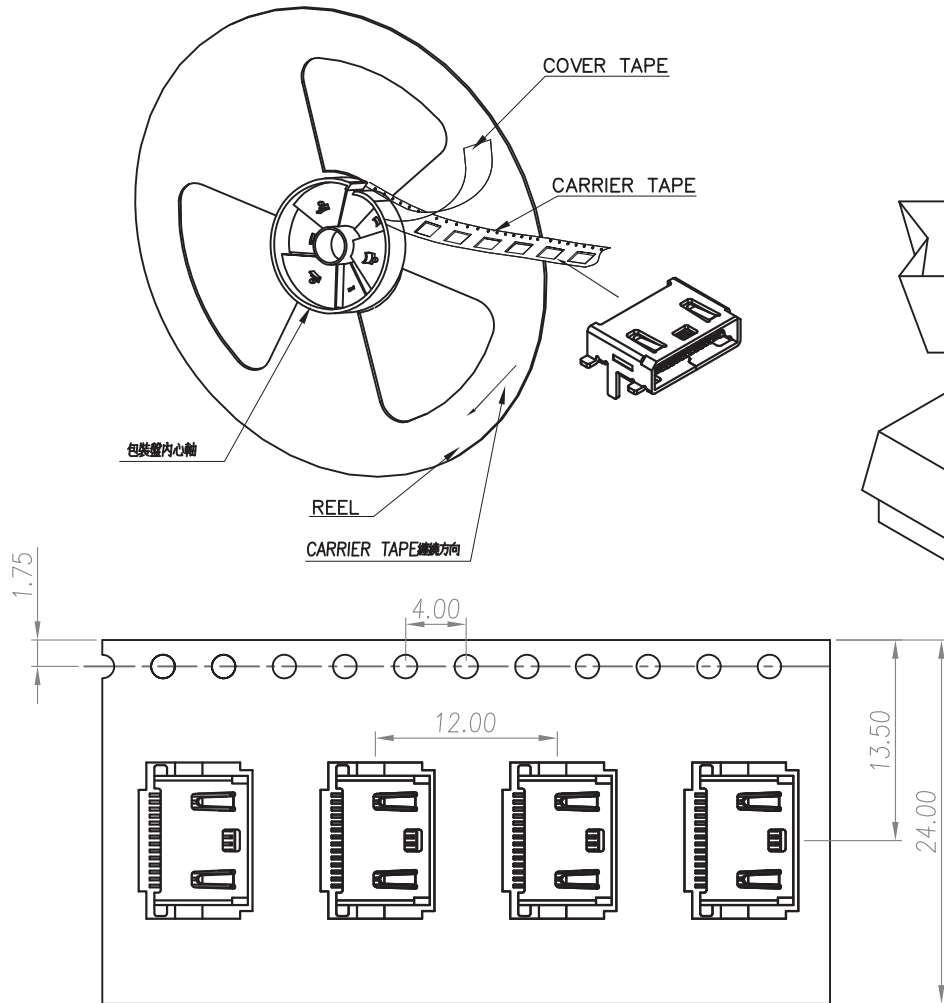
- 1.將成品一一放入包裝盤內,依同一方向置入.
- 2.包裝方式,如圖所示.
- 3.一個包裝盤內放 1100pcs.

步驟二:

- 1.一個紙箱可以裝 10個包裝盤.
- 2.每盤 1100pcs,每箱 11Kpcs.
- 3.將包裝盤放入防水袋中,包裝完後再封箱.

步驟三:

- 1.用膠帶將紙箱封實.
- 2.將標籤貼於紙箱上.



NOTE:

- 1.若有未裝滿之零數箱,必須以緩衝材塞滿.
- 2.在搬運過程中要輕拿輕放.
- 3.載運輸中不可堆放過多,不可有重壓現象.
- 4.在裝滿產品後,必須空留帶前和帶後 15 格以上,然後用紙膠布貼上.
- 5.上帶在貼下帶時必須平整,且黏貼處不要出現氣泡.

**MORETHANALL**  
PCB CONNECTORS  
Cable ASSEMBLIES

煜倫股份有限公司

www.morethanall.com

RoHS Compliant

DRAWING BY CY

CHECKED BY GENIUS

UNIT/mm SCALE 1:1

DATE

SIZE A4

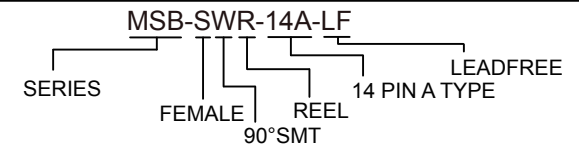
TOLERANCES ARE

X. ±  
.X ± 0.20  
.XX ± 0.10  
.XXX ± 0.05  
ANG ± 1°

P PROJECTION

照片框

ORDER INFORMATION



DESCRIPTION: MINI USB ■SMT 14PIN