

NOTES:

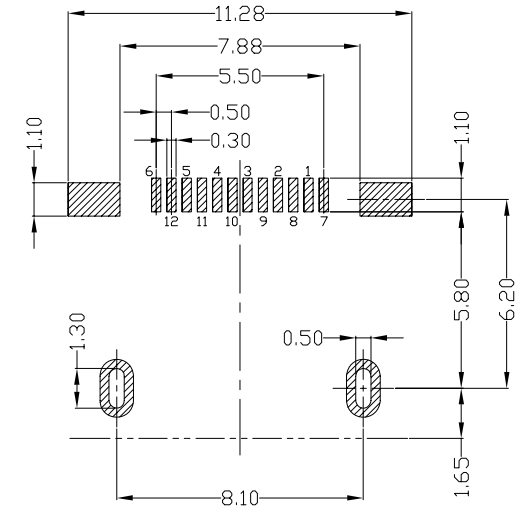
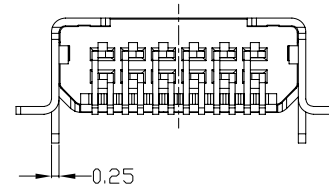
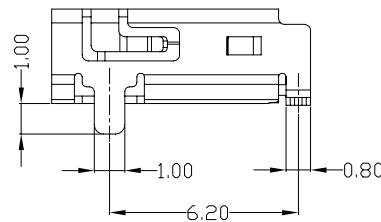
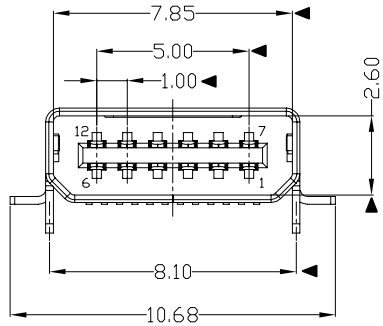
1. ELECTRICAL:

- 1) VOLTAGE CURRENT RATING: 0.3AMP,30V AC;
- 2) INSULATION RESISTANCE: 1000MΩ MIN;
- 3) CONTACT RESISTANCE: 40mΩ MAX;
- 4) WITHSTANDING VOLTAGE: 500V AC;
- 5) OPERATING TEMPERATURE:-55°C TO +85°C.

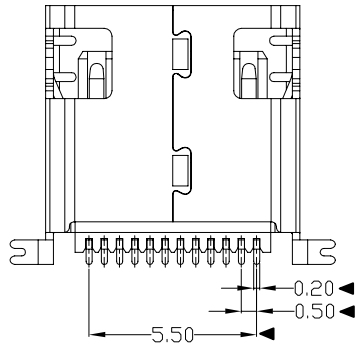
2. Mechanical:

- 1) Mating Force: 35N MAX
- 2) Unmating Force: 10N MIN.

3. DIMENSIONS MARKED "▼" TO BE CHECKED BY Q.C & IPQC.



RECOMMENDED PCB LAYOUT



Bill of materials:

NO	PARTS	MATERIAL	QTY	FINISHING
3	HOUSING	LCP	1	UL94V-0
2	SHELL	COPPER ALLOY	1	PLATED NICKEL/TIN
1	TERMINAL	COPPER ALLOY	12	PLATED GOLD/TIN

RoHS Compliant

TOLERANCES ARE

MORETHANALL
PCB CONNECTORS
Cable ASSEMBLIES

DRAWING BY CY

X. ± 0.35

CHECKED BY GENIUS

.X ± 0.30

UNIT / mm

SCALE 1 : 1

.XX ± 0.25

DATE

.XXX ± 0.15

ANG ±

煜倫股份有限公司

www.morethanall.com

SIZE A4

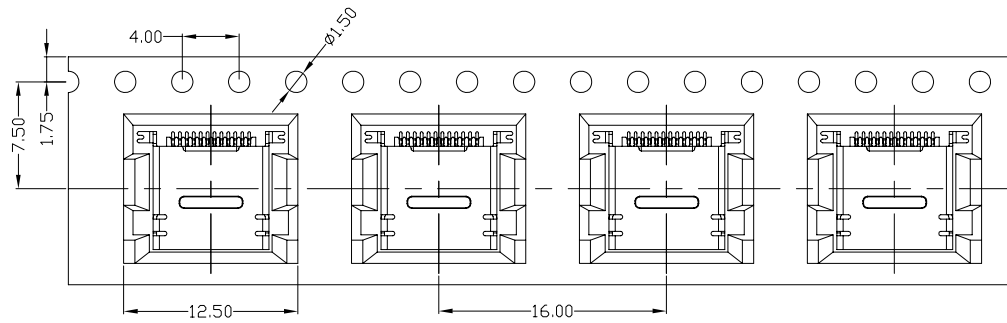
PJECTION

照片框

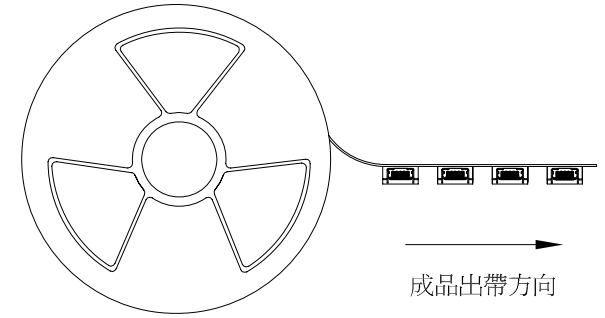
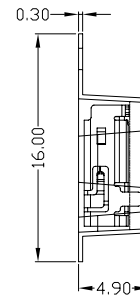
ORDER INFORMATION

MSB-SWR-12B-LF
SERIES | REEL | LEADFREE
| 90°SMT | 12 PIN B TYPE
FEMALE

DESCRIPTION:



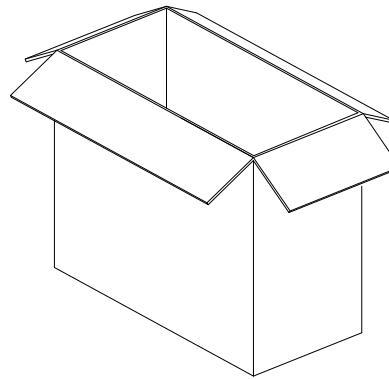
① 卷带



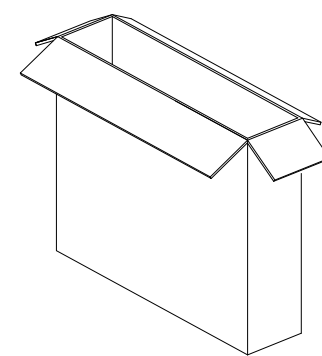
② 800Pcs/盘.

备注:

1. 每盘装成品800Pcs, 每箱装4盘 (3200Pcs);
2. 外箱用透明胶纸带封“工”字型;贴好产品/ROHS标签.
3. 内箱尺寸33.3*6.7*33.3cm;外箱尺寸34.6*14.6*35.2cm.
4. 产品重量: 0.5g/pcs 产品净重: 1.6kg/箱 产品毛重: 3.3kg/箱
5. 出现异常时应及时汇报上级主管.



④ 外箱用透明胶纸封好, 粘贴产品或ROHS标签.



③ 1600 PCS/内箱;3200 PCS/箱.

RoHS Compliant

TOLERANCES ARE

MORETHANALL
PCB CONNECTORS
Cable ASSEMBLIES

DRAWING BY CY

X. ± 0.35

CHECKED BY GENIUS

.X ± 0.30

UNIT / mm

SCALE 1 : 1

.XX ± 0.25

DATE

.XXX ± 0.15

ANG ±

SIZE A4

PPOJECTION

照片框

ORDER INFORMATION

MSB-SWR-12B-LF
SERIES | REEL | LEADFREE
| 90°SMT | 12 PIN B TYPE
FEMALE

煜倫股份有限公司

www.morethanall.com

DESCRIPTION: