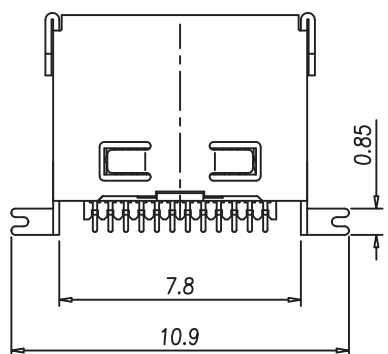
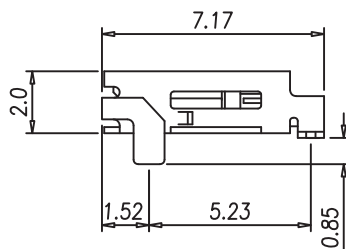
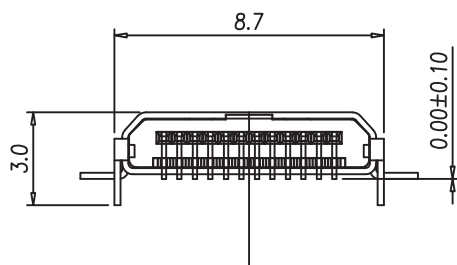
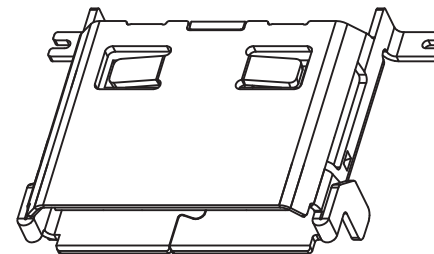


RECOMMED PCB LAYOUT



NOTE:

1. MATERIAL :
  - 1-1. HOUSING : LCP UL94V-0 ; COLOR : BLACK
  - 1-2. CONTACT :PHOSPHOR BRONZE.
  - 1-3. SHELL : PHOSPHOR BRONZE.
2. FINISH :
  - 2-1. CONTACT :
    - CONTACT AREA : 10 MICRO INCHES MIN. GOLD PLATED
    - SOLDER AREA : GOLD FLASH
    - UNDER PLATE : NICKEL
  - 2-2. SHELL : MATTE 60u" ~ 100u" OVER ALL

RoHS Compliant

**MORETHANALL**  
PCB CONNECTORS  
Cable ASSEMBLIES

煜倫股份有限公司

www.morethanall.com

DRAWING BY CY

CHECKED BY GENIUS

UNIT/mm SCALE 1:1

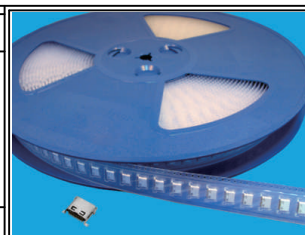
DATE

SIZE A4

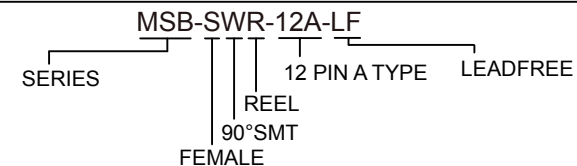
TOLERANCES ARE

X. ±  
.X ±  
.XX ±  
.XXX ±  
ANG ±

PJECTION



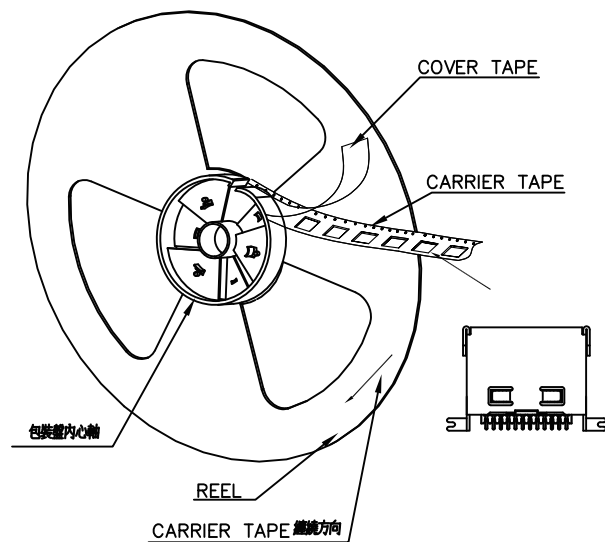
ORDER INFORMATION



DESCRIPTION: MINI USB 12P (F) 單排SMT

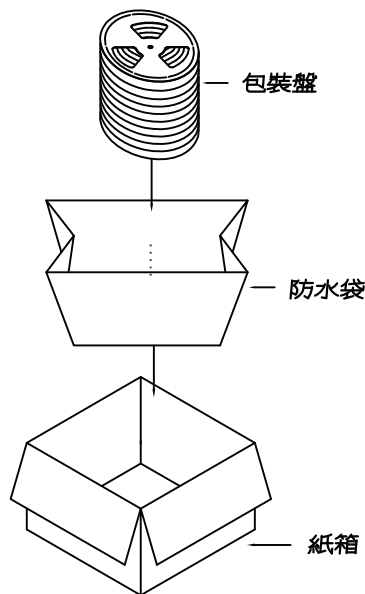
步驟一:

1. 將成品一一放入包裝盤內, 依同一方向置入.
2. 包裝方式, 如圖所示.
3. 一個包裝盤內1500pcs.



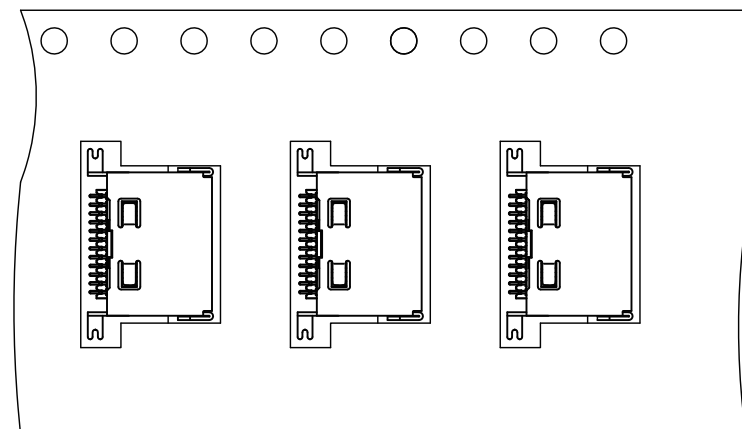
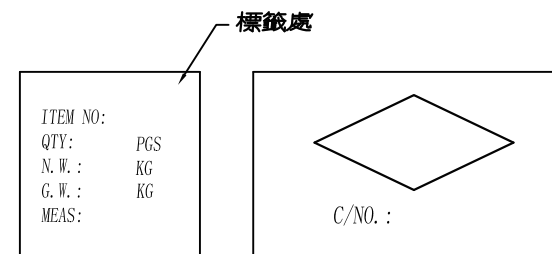
步驟二:

1. 一個紙箱可以裝10個包裝盤.
2. 每盤1500pcs, 每箱15000pcs.
3. 將包裝盤放入防水袋中, 包裝完後再封箱.



步驟三:

1. 用膠帶將紙箱封實.
2. 將標籤貼於紙箱上.



NOTE:

1. 若有未裝滿之零數箱, 必須以緩衝材塞滿.
2. 在搬運過程中要輕拿輕放.
3. 載運輸中不可堆放過多, 不可有重壓現象.
4. 在裝滿產品後, 必須空留帶前和帶後15格以上, 然後用紙膠布貼上.
5. 上帶在貼下帶時必須平整, 且黏貼處不要出現氣泡.

**MORETHANALL**  
PCB CONNECTORS  
Cable ASSEMBLIES

煜倫股份有限公司

www.morethanall.com

RoHS Compliant

DRAWING BY CY

CHECKED BY GENIUS

UNIT/mm SCALE 1:1

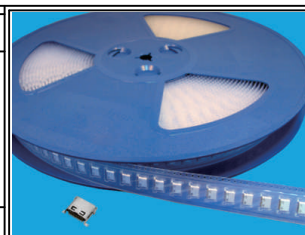
DATE

SIZE A4

TOLERANCES ARE

X. ±  
.X ±  
.XX ±  
.XXX ±  
ANG ±

P PROJECTION



ORDER INFORMATION

MSB-SWR-12A-LF

SERIES REEL 12 PIN A TYPE LEADFREE  
90°SMT FEMALE

DESCRIPTION: MINI USB 12P (F) 單排SMT