

Material & Finish

SHELL:

Brass T=0.4mm, Nickel Plated

PIN CONTACT:

Phosphor Bronze T=0.2mm

Gold Plated 30u" Over Nickel at Contact

Tin Plated Over Nickel at Solder Tails

INSULATOR:

NYLON PA9T & Glass-fibre reinforced

UL-94V0 BLACK

RATED VOLTAGE AND CURRENT:

1A At 30VAC Minimum

DIELECTRIC WITHSTANDING VOLTAGE:

100VAC(rms) for 1 minute

CONTACT RESISTANCE:

50mΩ Max.

INSULATOR RESISTANCE:

100MΩ Min. (at 500VDC)

DURABILITY:

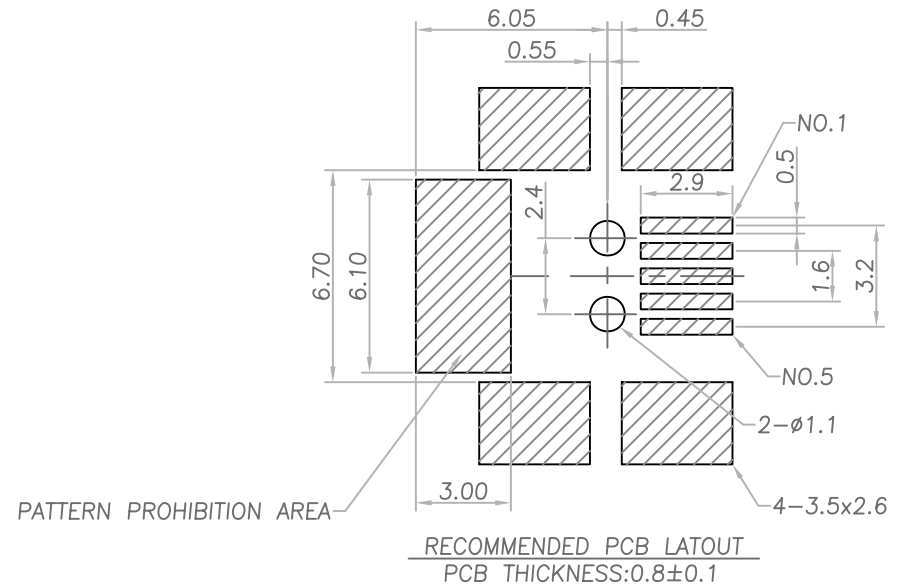
1500 Cycles

INSERTION FORCE:

35 Newton Max.

EXTRACTION FORCE:

7 Newton Min.



RoHS Compliant

TOLERANCES ARE



煜倫股份有限公司

www.morethanall.com

DRAWING BY CY

CHECKED BY GENIUS

UNIT / mm

SCALE 1 : 1

DATE

SIZE A4

X. ± 0.40

.X ± 0.30

.XX ± 0.20

.XXX ±

ANG ± 3°

P PROJECTION

照片框

ORDER INFORMATION

MSB-SWP24-5B-LF

SERIES | LEADFREE
5 PIN B TYPE
POST 2.4mm
90° SMT
FEMALE

DESCRIPTION: MINI USB B SMT TYPE 5PIN FEMALE