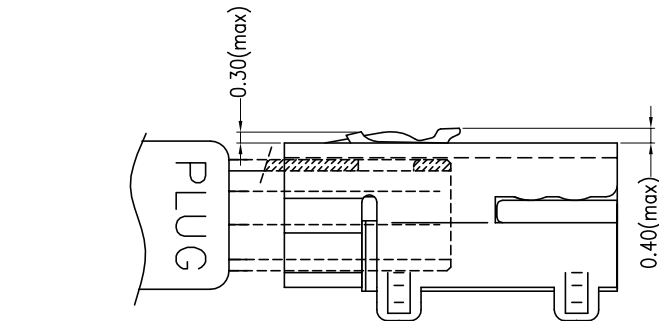
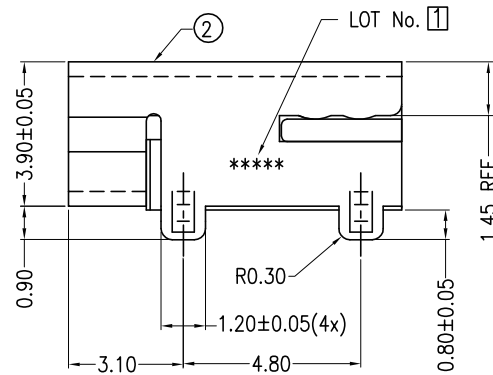
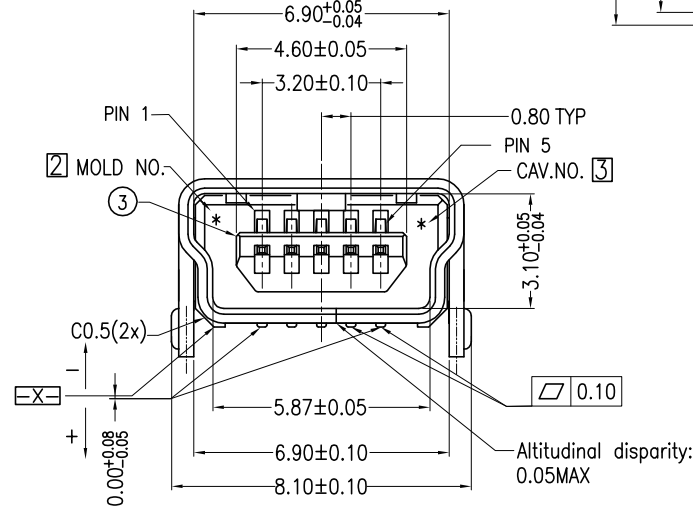
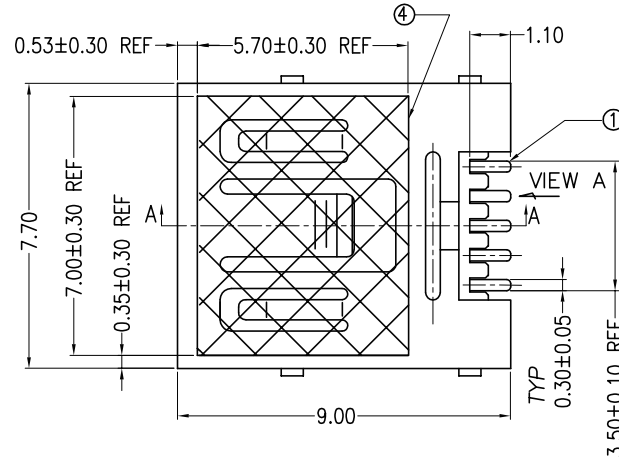
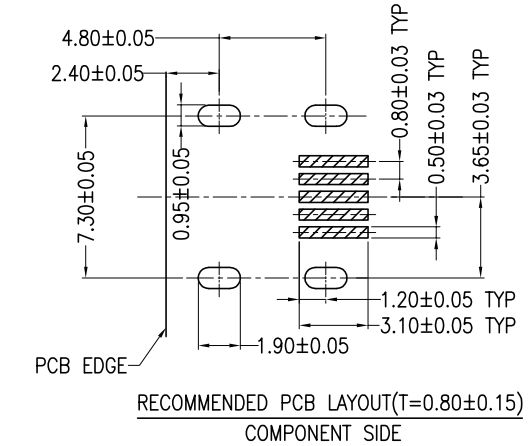


SECTION: A-A



MATING DIAGRAMMATIC DRAWING



PART NO.	CONTACT AREA	HOUSING COLOR	SHELL AREA
	Au 30u"(0.76um)	BLACK	Ni 40u"(1.0um)

ITEM	DESC.	MATERIAL	REMARKS
4	PAPER	POLYIMIDE(T=0.025)	COLOR: TRANSPARENT YELLOW
3	HOUSING	HIGH TEMPERATURE THERMOPLASTICS	G.F.30%,UL94V-0 COLOR: BLACK
2	SHELL	COPPER ALLOY (T=0.40)	OVER-PLATING: Ni 1.0 um(40u")
1	TERMINAL	COPPER ALLOY (T=0.20)	CONTACT AREA: Au 0.76 um(30u") SOLDER AREA: Au 0.076 um(3u") UNDER-PLATING: Ni 1.27 um(50u")

MSB-SWMMR-5B-LF
LEADFREE

RoHS Compliant

MORETHANALL
CONNECTORS
ASSEMBLIES

PART NO. MSB-SWMMR-5B

DWG NO. MSB-SWMMR-5B

FILE NO.

UNIT / mm

SCALE 1:1

CHECKED BY CY

DRAWING BY

PROJECTION

TOLERANCES ARE

X.±
.X±
.XX±
.XXX±
ANG

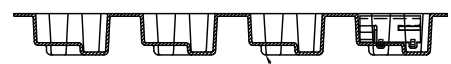
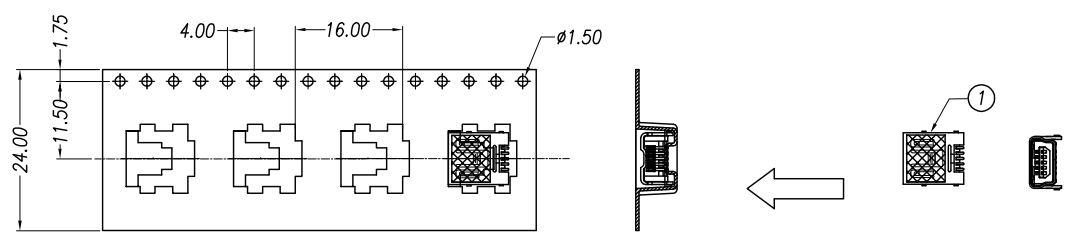
DESCRIPTION:

AREA

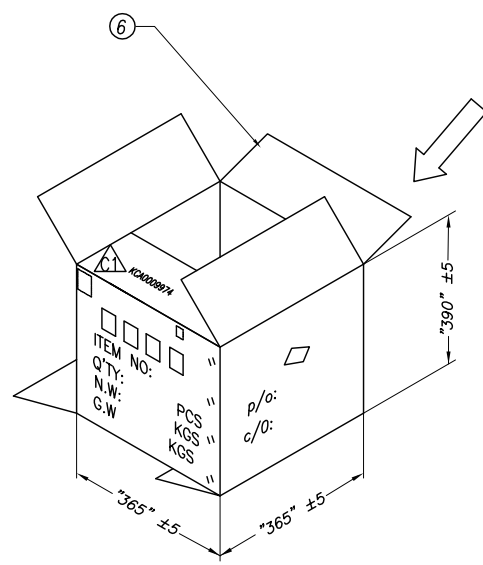
REVISIONS

DATE

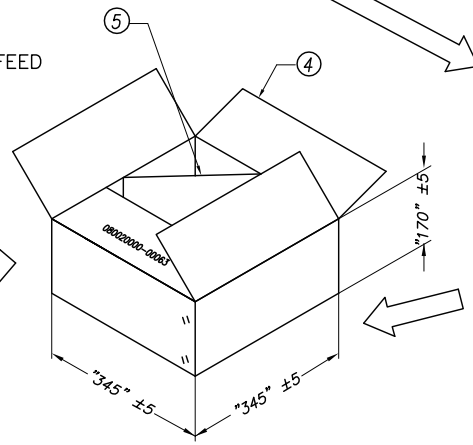
焯倫股份有限公司



USER DIRECTION OF FEED



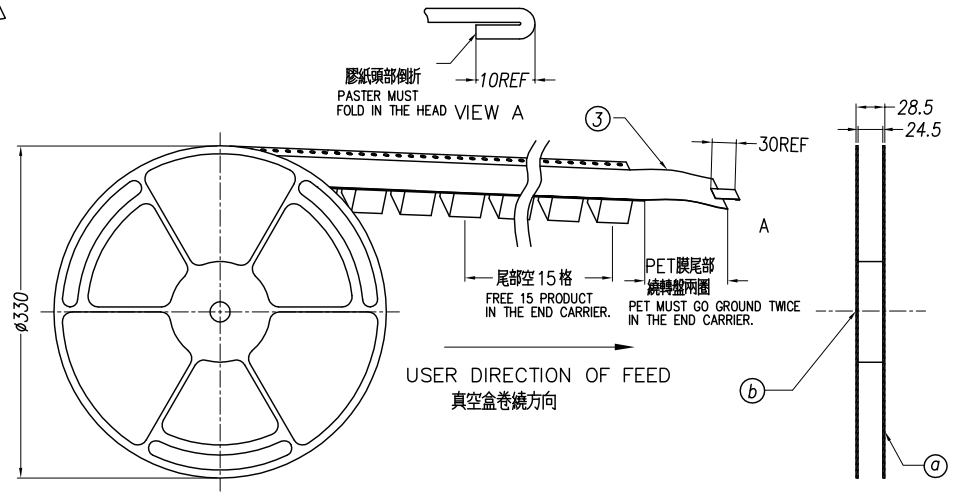
10 REEL/CARTON
2 INNER CARTON/OUTER CARTON



5 REEL/INNER CARTON

N.W. 淨重	G.W. 毛重
4.23KG	10.50±0.3 KG

序號 NO.	項 目 ITEM	
1	包裝方式 Method of packing	UCNRB003EC64-0
2	包裝方式說明 Packing instruction	
3	內包裝單位 Unit of inner packing	箱 CARTON
4	內包裝含產品數量 Inner packing quantity	3500
5	內包裝重量(g) Inner packing weight	2815
6	外包裝單位 Unit of outer packing	箱 CARTON
7	外包裝含內包裝數量 Quantity of inner packing	2
8	外包裝重量(g) Weight of outer packing	640
9	總數量 (pcs) Total quantity	7000
10	長Length(mm)×寬Width(mm)×高High(mm)	365×365×390
11	數 量/卷 QUANTITY/REEL	700
12	淨 重/箱 WEIGHT/CARTON:N.W	4.23Kg
13	毛 重/箱 WEIGHT/CARTON:G.W	10.50±0.30Kg
14	FREE THIRTY PRODUCT IN THE FRONT CARRIER AND FREE FIFTEEN PRODUCT IN THE END CARRIER. 包裝特減部空 30 格, 尾部空 15 格	



USER DIRECTION OF FEED
真空盒卷繞方向

6	OUTER CARTON	K=A		
5	A TYPE PAD	K=A	PB605	
4	INNER CARTON	K=A	PA257	
3	COVER TAPE	PET	PF102	
2	a	PLASTIC TRAY	PS T=2.0,BLUE	PK109
	b	PLASTIC AXLE	PS BLUE	PK110
	c	CARRIER TAPE	PS T=0.40,BLACK	PD19K
1	PRODUCT			
ITEM	DESC.	MATERIAL	REMARKS	

MORETHANALL
CONNECTORS
ASSEMBLIES

煜倫股份有限公司

PART NO. MSB-SWMMR-5B

DWG NO. MSB-SWMMR-5B

FILE NO.

UNIT / mm

CHECKED BY CY

DRAWING BY

PROJECTION

SCALE 1:1

TOLERANCES ARE
X, ±
.X ±
.XX ±
.XXX ±
ANG

DESCRIPTION:		AREA	REVISIONS	DATE