

Recommended PCB Layout

Specifications:  
 Current Rating:1.0A AC/DC  
 Voltage Rating:30V AC/DC  
 Contact Resistance:20m ohm. Max.  
 Insulation Resistance:1,000M ohm. min.  
 Withstanding Voltage:750V AC For One Minute  
 Operating Temperature Range:-40°C ~ +105°C  
 Material and Finish  
 Insulator:High Temp. plastic(LCP UL94V-0)  
 Insulator Color:Black  
 Contact:Phosphor Bronze  
 Plating:Gold Plated on Contact Area,  
 Tin Plated on Solder Tail.  
 Shell:Brass,Tin Plated  
 Packing:700pcs/Reel

RoHS Compliant

TOLERANCES ARE

**MORETHANALL**  
 PCB CONNECTORS  
 Cable ASSEMBLIES

DRAWING BY CY

X. ±

CHECKED BY GENIUS

.X ± 0.20

UNIT / mm

SCALE 1 : 1

.XX ± 0.15

DATE

.XXX ±

ANG ±

SIZE A4

PPOJECTION



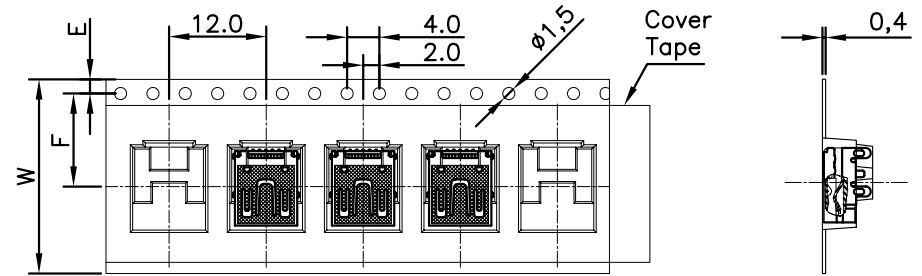
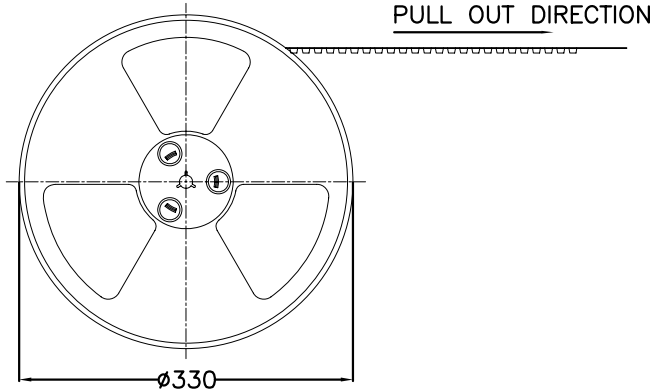
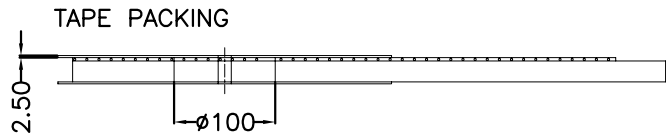
ORDER INFORMATION

MSB-SWMMPCR-5B-LF  
 SERIES | | | | | LEADFREE  
 FEMALE | | | | | 5 PIN B TYPE  
 90°SMT | | | | | REEL  
 | | | | | MYLAR  
 | | | | | POST  
 | | | | | METAL FOOT

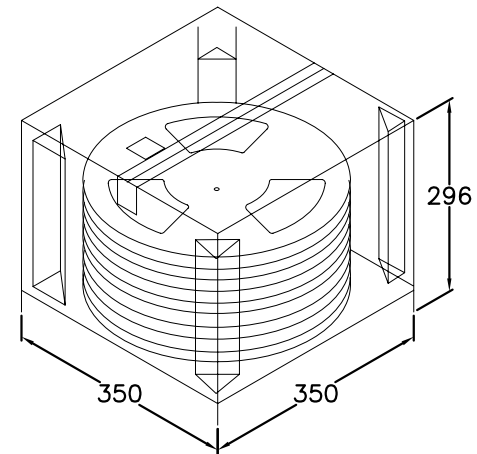
DESCRIPTION: MINI USB 5S B Type

煜倫股份有限公司

www.morethanall.com



For Reel width (dimension W) 24mm  
Single row hole



Note:

- 1.All dimensions meet EIA-481-3 requirements.
- 2.Material : BK Conductive Polystyrene Alloy  
100% recyclable.
- 3.Component load per 13" reel :700 pcs.
- 4.Carton Size:350\*350\*296(mm)

Pin.	W	F	E	Pcs/R	Pcs/Carton
05	24±0.20	11.50±0.15	1.75±0.15	700	6300

RoHS Compliant

TOLERANCES ARE

**MORETHANALL**  
PCB CONNECTORS  
Cable ASSEMBLIES

煜倫股份有限公司

www.morethanall.com

DRAWING BY CY

CHECKED BY GENIUS

UNIT / mm

SCALE 1 : 1

DATE

SIZE A4

PPOJECTION

X, ±  
.X ± 0.20  
.XX ± 0.15  
.XXX ±  
ANG ±



ORDER INFORMATION

MSB-SWMMPCR-5B-LF  
SERIES | | | | | LEADFREE  
FEMALE | | | | | 5 PIN B TYPE  
90°SMT | | | | | REEL  
METAL FOOT | | | | | MYLAR  
POST

DESCRIPTION: MINI USB 5S B Type Packing List