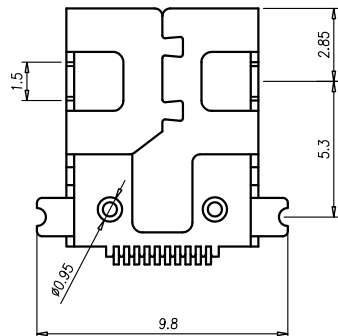
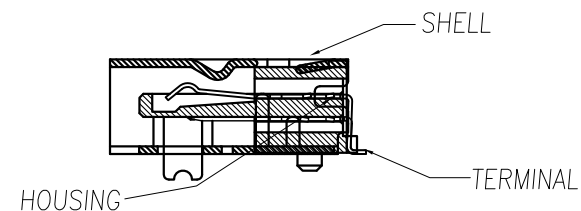
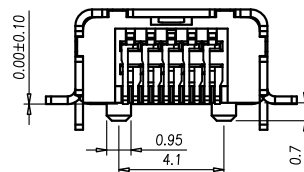
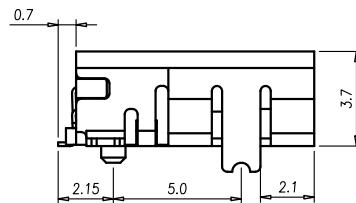
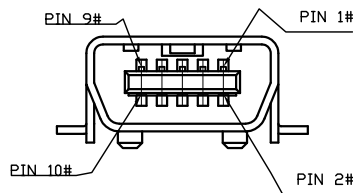
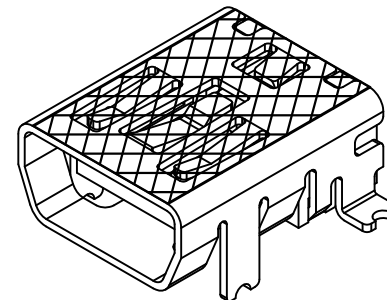


RECOMMEND P.C.B LAYOUT TOL:±0.05mm



NOTE:

1.ELECTRICAL PROPERTIES:

- 1-1.CONTACT CURRENT RATING:1A AT 250V AC MIN.
- 1-2.CONTACT RESISTANCE:50m Ohm MAX
- 1-3.INSULATION RESISTANCE:100M Ohm MIN.
- 1-4.DIELECTRIC WITHSTANDING VOLTAGE:AC 100V/1 MINUTE.
- 1-5.MEASURE ENVIRONMENT:TEMP. 21°C/R.H.55%

2.MATERIAL:

- 2-1.CONTACT:PHOSPHOR BRONZE(C5191R-H).
- 2-2.HOUSING:LCP
- 2-3.SHELL:PHOSPHOR BRONZE(C5191R-H).

3.PLATING:

- 3-1.TERMINAL: SEE TABLE, GOLD FLUSH MIN ON SOLDER TAILS, UNDERPLATED NICKEL OVER ALL 50u" MIN.
- 3-2.SHELL: NICKEL 60u", SMT GOLD FLUSH ON ALL AREA

RoHS Compliant

TOLERANCES ARE

**MORETHANALL**  
PCB CONNECTORS  
Cable ASSEMBLIES

DRAWING BY CY

X, ±

CHECKED BY GENIUS

.X ±

UNIT / mm

SCALE 1 : 1

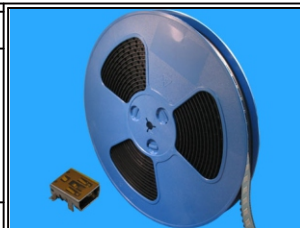
.XXX ±

DATE

ANG ±

SIZE A4

PJECTION



ORDER INFORMATION

MSB-SWMEPCR-10AB-LF  
SERIES | | | | | LEADFREE  
FEMALE | | | | | 10PIN AB TYPE  
90°SMT | | | | | REEL  
| | | | | MYLAR  
| | | | | POST  
| | | | | METAL EAR

DESCRIPTION: MINI USB 雙排10PIN(F)AB TYPE(前DIP 後SMT)

煜倫股份有限公司

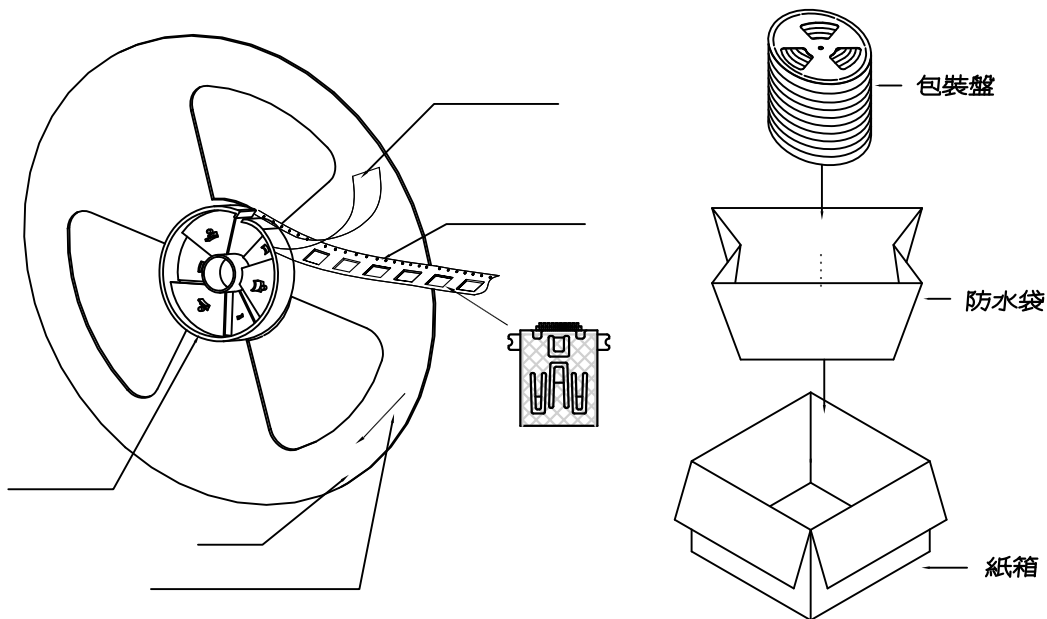
www.morethanall.com

步驟一:

1. 將成品一一放入包裝盤內,依同一方向置入.
2. 包裝方式,如圖所示.
3. 一個包裝盤內放750pcs.

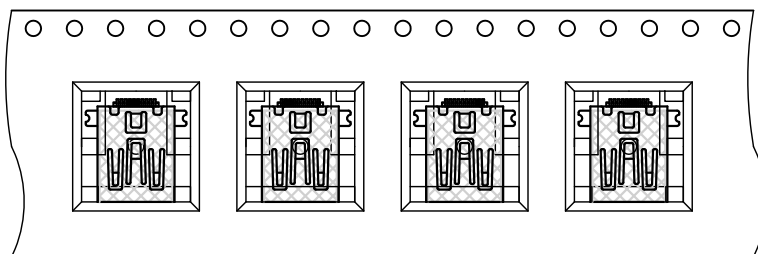
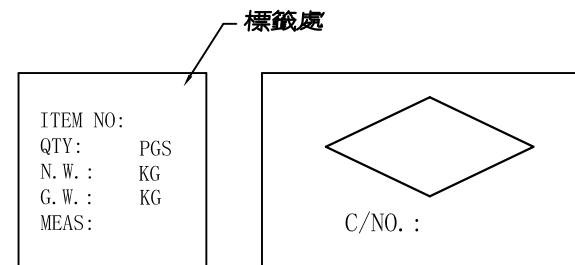
步驟二:

1. 一個紙箱可以裝10個包裝盤.
2. 每盤750pcs,每箱7500pcs.
3. 將包裝盤放入防水袋中,包裝完後再封箱.



步驟三:

1. 用膠帶將紙箱封實.
2. 將標籤貼於紙箱上.



NOTE:

1. 若有未裝滿之零數箱,必須以緩衝材塞滿.
2. 在搬運過程中要輕拿輕放.
3. 載運輸中不可堆放過多,不可有重壓現象.
4. 在裝滿產品後,必須空留帶前和帶後15格以上,然後用紙膠布貼上.
5. 上帶在貼下帶時必須平整,且黏貼處不要出現氣泡.

RoHS Compliant

TOLERANCES ARE

**MORETHANALL**  
PCB CONNECTORS  
Cable ASSEMBLIES

煜倫股份有限公司

www.morethanall.com

DRAWING BY CY

CHECKED BY GENIUS

UNIT / mm

SCALE 1:1

DATE

SIZE A4

PJECTION

X, ±  
.X ±  
.XX ±  
.XXX ±  
ANG ±



ORDER INFORMATION

MSB-SWMEPCR-10AB-LF  
SERIES | | | | | LEADFREE  
FEMALE | | | | | 10PIN AB TYPE  
90°SMT | | | | | REEL  
| | | | | MYLAR  
| | | | | POST  
| | | | | METAL EAR

DESCRIPTION: MINI USB 雙排10PIN(F)AB TYPE(前DIP 後SMT)