

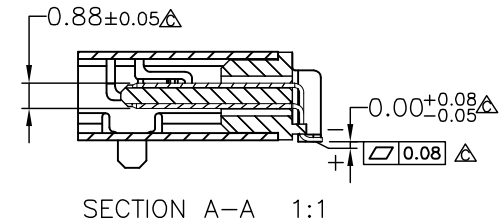
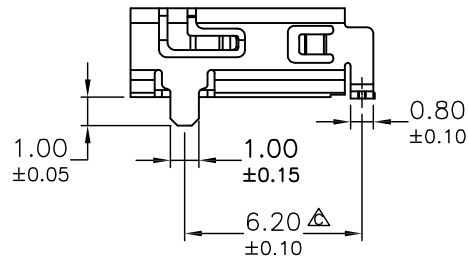
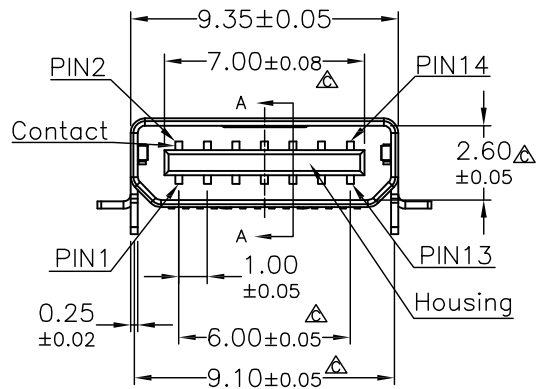
**Material:**

- A. Insulator : LCP GLASS FIBRE UL94 V-0
- B. Contact : Phosphor Bronze T=0.15mm
- C. Shell : BRASS T=0.25mm
- D. Finish :

Contact = Gold plated on contact area &  
Lead plated on terminal area  
Shell = Filltin

MSB-SWME-14B-LF  
LEADFREE

RoHS Compliant



**MORETHANALL**  
CONNECTORS  
ASSEMBLIES

煜倫股份有限公司

PART NO. MSB-SWME-14B		CHECKED BY CY		TOLERANCES ARE .X ± 0.2 .XX ± .XXX ± AWG	DESCRIP TION:			
DWG NO. MSB-SWME-14B		DRAWING BY						
FILE NO.		PROJECTION		AREA	REVISIONS	HK	DATE	