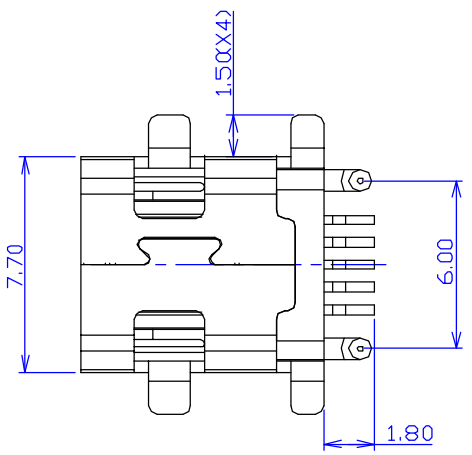
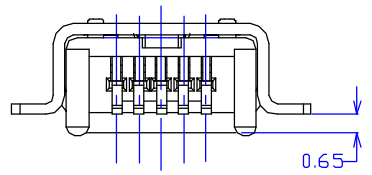
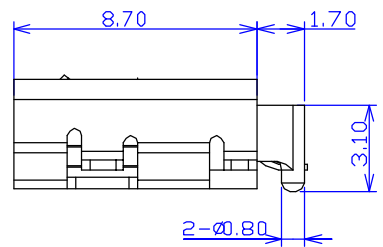
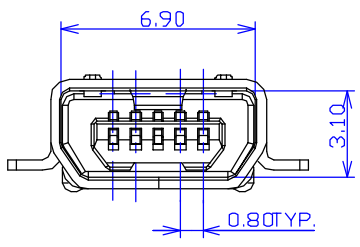
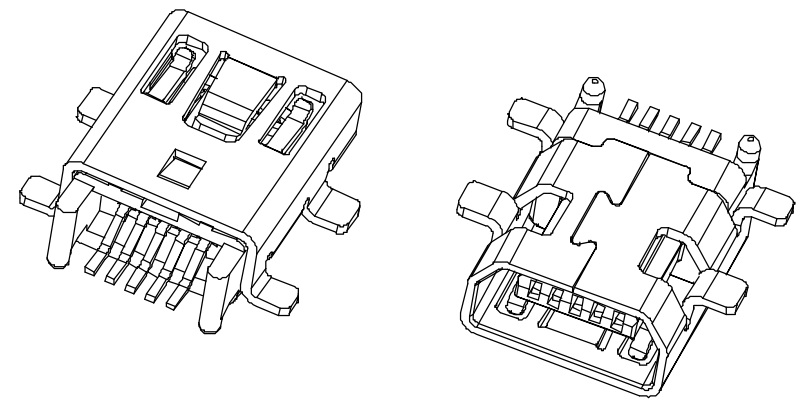
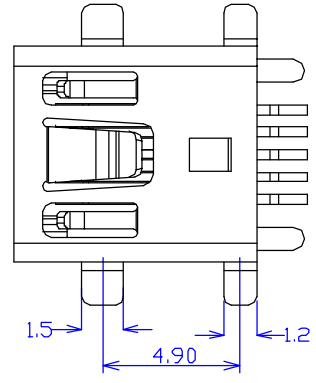


1 2 3 4 5 6 7 8 9 0

J  
I  
H  
G  
F  
E  
D  
C  
B  
A



**MSB-SWLP-5AB-LF**  
LEADFREE

**RoHS Compliant**

3	CONTACT	5	T-MNE40-00-00	COPPER ALLOY/SELECTIVE GOLD PLATED ON MATING AREA
2	SHELL	1	S-MNE41-00-00	COPPER ALLOY/HALF-BRIGHT TIN PLATED OVER COPPER
1	HOUSING	1	I-MNE41-00-00	240°C, UL 94V-0 RATED
ITEM	NAME	Q'TY	PART#	MATERIAL / FINISH

**MORETHANALL**  
CONNECTORS  
ASSEMBLIES

PART NO. **MSB-SWLP-5AB**

DWG NO. **MSB-SWLP-5AB**

CHECKED BY CY

TOLERANCES ARE

DESCRIPTION:

MINICONN. MINI USB  
MINI-AB, RECEP. R/A, SMT TYPE

FILE NO.

DRAWING BY

.X ± 0.2  
.XX ±  
.XXX ±  
AWG

AREA

REVISIONS

HK

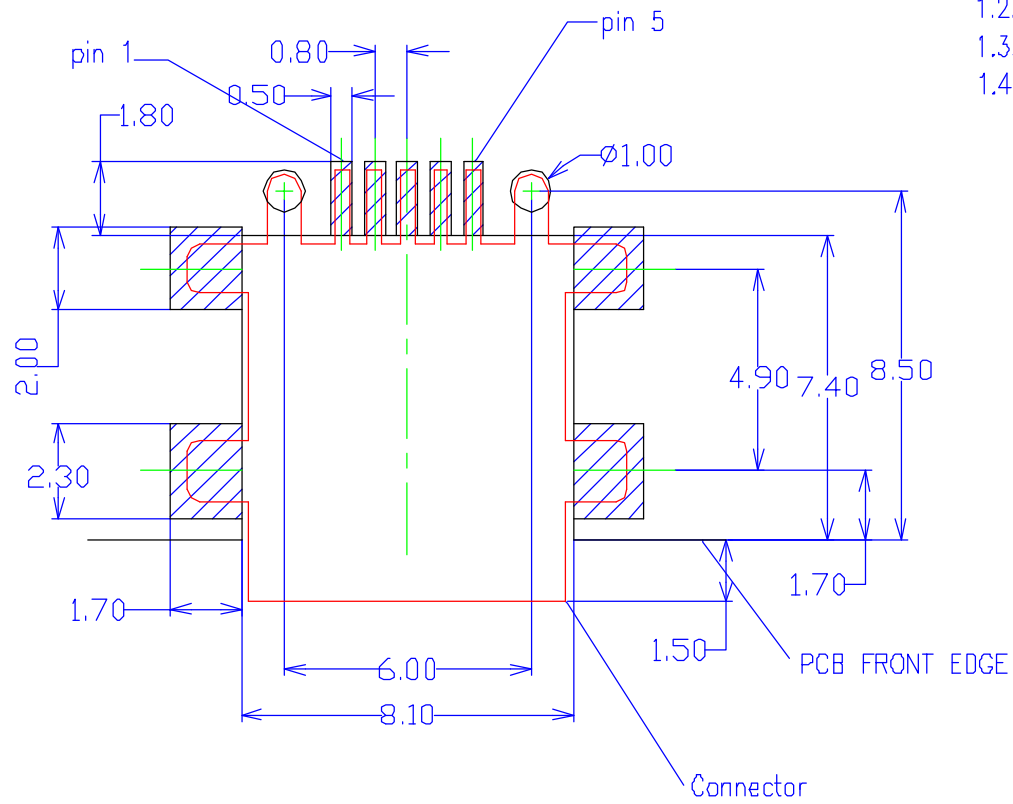
DATE

煜倫股份有限公司

UNIT / mm

SCALE 1:1

PROJECTION



- 1.0. OTHERS :
- 1.1. PRODUCT SPECIFICATION : CSP-MNC10-00-00
  - 1.2. RECOMMENDED PC BOARD THICKNESS 0.80mm
  - 1.3. SHELL AND CONTACT COPLANARITY IS 0.10 MAX.
  - 1.4. RECOMMENDED PC BOARD MOUNTING DIMMENSION : REFER FIGURE A

FIGURE A : Printed Circult Board (PCB) Layout(SCALE 5 : 1)



PART NO. **MSB-SWLP-5AB**

DWG NO. **MSB-SWLP-5AB**

CHECKED BY CY

TOLERANCES ARE

DESCRIP TION: **MINI-AB, RECEP. R/A, SMT TYPE**

FILE NO.

DRAWING BY

.X ± 0.2  
.XX ±  
.XXX ±  
AWG

AREA REVISIONS HK DATE

**焯倫股份有限公司**

UNIT / mm

SCALE 1:1

PROJECTION

AREA REVISIONS HK DATE