

ELECTRICAL CHARACTERISTICS

Contact Current Rating: 1.0 Amperes.
 Dielectric Withstanding Voltage: AC 100V 0.5mA/60S Min.
 Insulation Resistance: 100 Megohms Min at DC 500V.
 Contact Resistance: 50 Milliohms Max
 Operating Temperature: -55°C~105°C

MECHANICAL CHARACTERISTICS

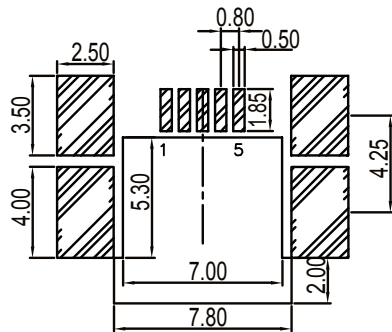
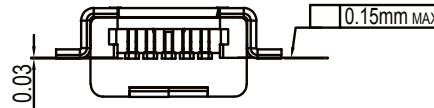
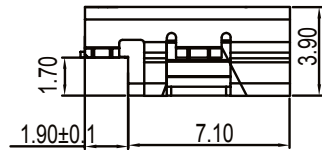
Contact Insertion Force: 35N Maximum.
 Contact Separation Force: 7N Minimum.

MATERIALS:

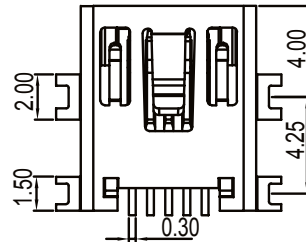
Contact: Copper Alloy.

Housing: NY6T, UL 94V-O Rated.

Shell: BARSS.



P.C.B LAYOUT
 TOLERANCE: ±0.05



RoHS Compliant

TOLERANCES ARE

MORETHANALL
 PCB CONNECTORS
 Cable ASSEMBLIES

DRAWING BY CY

X. ±

CHECKED BY GENIUS

.X ±

UNIT / mm

SCALE 1 : 1

.XX ±

DATE

.XXX ±

ANG ±

SIZE A4

PPOJECTION

照片框

ORDER INFORMATION

MSB-SWFE42-5B-LF
 SERIES | | | LEADFREE
 | | | 5 PIN B TYPE
 | | | EAR 4.25mm
 | | | OFFSET
 | | | 90°SMT
 | | | FEMALE

DESCRIPTION: MINI USB 5PIN FEMALE SMT TYPE

煜倫股份有限公司

www.morethanall.com