

1. MATERIAL :
 - 1-1. HOUSING : LCP UL94V-0 ; COLOR : BLACK
 - 1-2. CONTACT : PHOSPHOR BRONZE
 - 1-3. SHELL : PHOSPHOR BRONZE
2. FINISH :
 - 2-1. CONTACT : SEE TABLE A
 - 2-2. SHELL : SMT AREA GOLD FLASH
NICKEL PLATED 60u" OVER ALL

TABLE A

GOLD 10u" MIN ON CONTACT AREA MATTLE TIN 80u" MIN ON SOLDER TAILS, UNDERPLATED NICKEL OVER ALL 50u" MIN.
GOLD 10u" MIN ON CONTACT AREA GOLD FLISH MIN ON SOLDER TAILS, UNDERPLATED NICKEL OVER ALL 50u" MIN.
PLATING

RoHS Compliant

TOLERANCES ARE

MORETHANALL
PCB CONNECTORS
Cable ASSEMBLIES

煜倫股份有限公司

www.morethanall.com

DRAWING BY CY

CHECKED BY GENIUS

UNIT / mm SCALE 1 : 1

DATE

SIZE A4

X, ±
.X ± 0.20
.XX ± 0.10
.XXX ± 0.05
ANG ±

PJECTION

照片框

ORDER INFORMATION

MSB-SWEEEXCR-10AB-LF
SERIES | | | | | LEADFREE
FEMALE | | | | | 10 PIN AB TYPE
90°SMT | | | | | REEL
MYLAR
NON POST
EAR+EAR

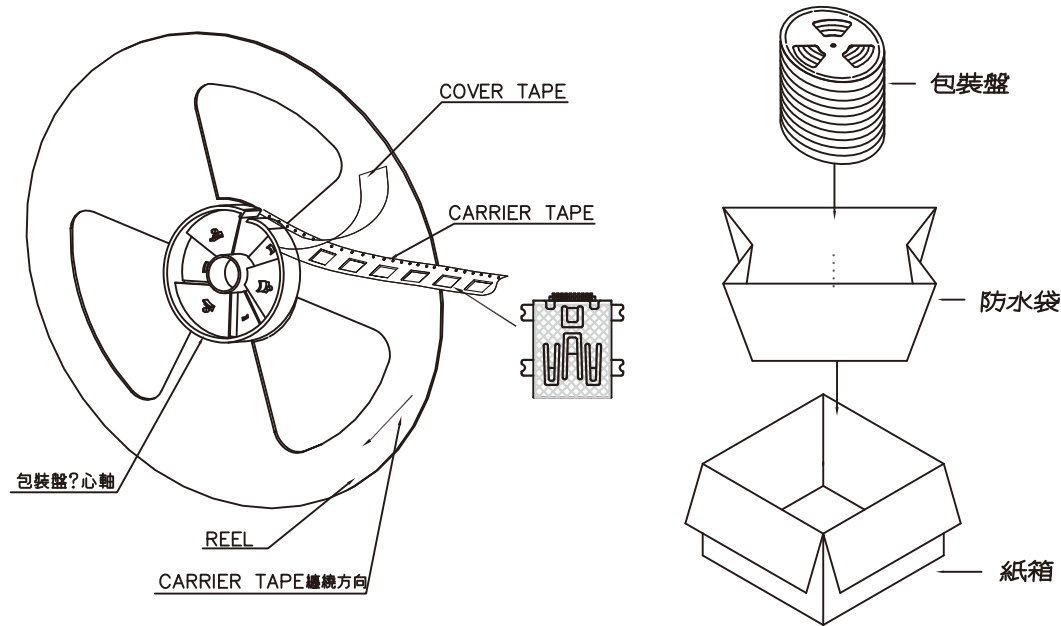
DESCRIPTION:

步驟一:

1. 將成品一一放入包裝盤內,依同一方向置入.
2. 包裝方式,如圖所示.
3. 一個包裝盤內放750pcs.

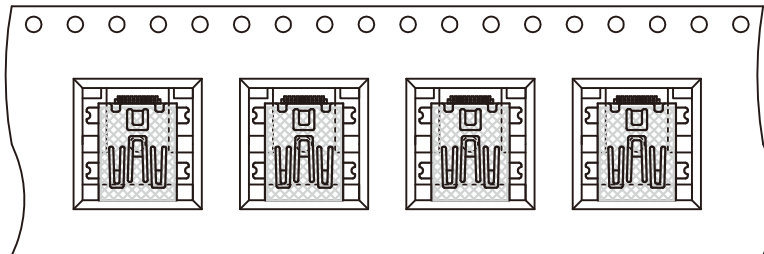
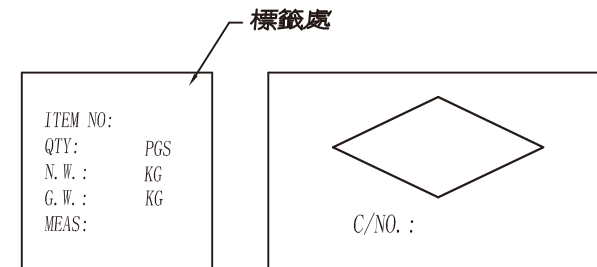
步驟二:

1. 一個紙箱可以裝10個包裝盤.
2. 每盤750pcs,每箱7500pcs.
3. 將包裝盤放入防水袋中,包裝完後再封箱.



步驟三:

1. 用膠帶將紙箱封實.
2. 將標籤貼於紙箱上.



NOTE:

1. 若有未裝滿之零數箱,必須以緩衝材塞滿.
2. 在搬運過程中要輕拿輕放.
3. 載運輸中不可堆放過多,不可有重壓現象.
4. 在裝滿產品後,必須空留帶前和帶後15格以上,然後用紙膠布貼上.
5. 上帶在貼下帶時必須平整,且黏貼處不要出現氣泡.

MORETHANALL
 PCB CONNECTORS
 Cable ASSEMBLIES
煜倫股份有限公司
 www.morethanall.com

RoHS Compliant

DRAWING BY CY

CHECKED BY GENIUS

UNIT / mm

SCALE 1:1

DATE

SIZE A4

TOLERANCES ARE

X, ±
 .X ± 0.20
 .XX ± 0.10
 .XXX ± 0.05
 ANG ±

PJECTION

照片框

ORDER INFORMATION

MSB-SWEEEXCR-10AB-LF
 SERIES | | | | | LEADFREE
 | | | | | 10 PIN AB TYPE
 FEMALE REEL
 90°SMT MYLAR
 NON POST
 EAR+EAR

DESCRIPTION: