

PCB LAYOUT

1. MATERIAL :
 - 1-1. HOUSING : LCP UL94V-0 ; COLOR : BLACK
 - 1-2. CONTACT : PHOSPHOR BRONZE
 - 1-3. SHELL : PHOSPHOR BRONZE
2. FINISH :
 - 2-1. CONTACT : 10 MICRO INCHES MIN. GOLD PLATED
SOLDER AREA : GOLD FLASH.
UNDER PLATE : NICKEL
 - 2-2. SHELL : GOLD FLASH
3. ELECTRICAL SPECIFICATION :
 - 3-1. Rated current : AC 5V/0.5A
 - 3-2. Contact Resistance: 50m Ohm or less
 - 3-3. Insulation Resistance: 100M Ohm Min at DC500V
 - 3-4. Dielectric Withstanding Voltage:
AC 100V for 1 minute(Cut-off: 0.5mA)
4. Mechanical:
 - 4-1. Insertion force: 35N (3.57kgf) max.
 - 4-2. Withdrawal Force: 1N (0.1kgf) min.

MORETHANALL
PCB CONNECTORS
Cable ASSEMBLIES
煜倫股份有限公司
www.morethanall.com

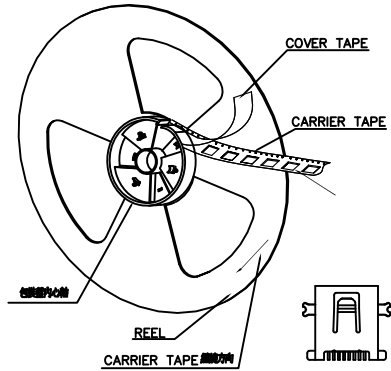
RoHS Compliant		TOLERANCES ARE
DRAWING BY CY		X. ±
CHECKED BY GENIUS		.X ± 0.20
UNIT / mm	SCALE 1 : 1	.XX ± 0.10
DATE		.XXX ± 0.05
SIZE A4	P PROJECTION	ANG ±



ORDER INFORMATION			
MSB-SWEEPR-8AB-LF			
SERIES			LEADFREE
			8 PIN AB TYPE
FEMALE		REEL	
		POST	
		EAR+EAR	
		90°SMT	
DESCRIPTION: MINI USB 8PIN (F) 單排 前後SMT 雙缺口			

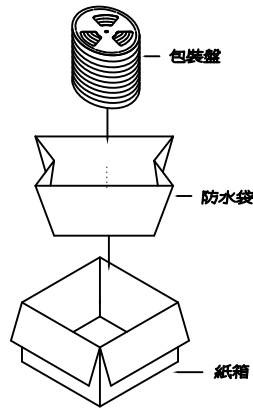
步驟一:

1. 將成品一一放入包裝盤內,依同一方向置入.
2. 包裝方式,如圖所示.
3. 一個包裝盤內1500pcs.



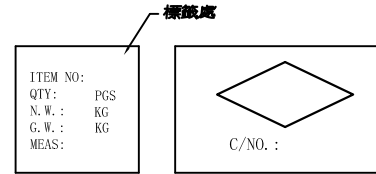
步驟二:

1. 一個紙箱可以裝10個包裝盤.
2. 每盤1500pcs,每箱15000pcs.
3. 將包裝盤放入防水袋中,包裝完後再封箱.



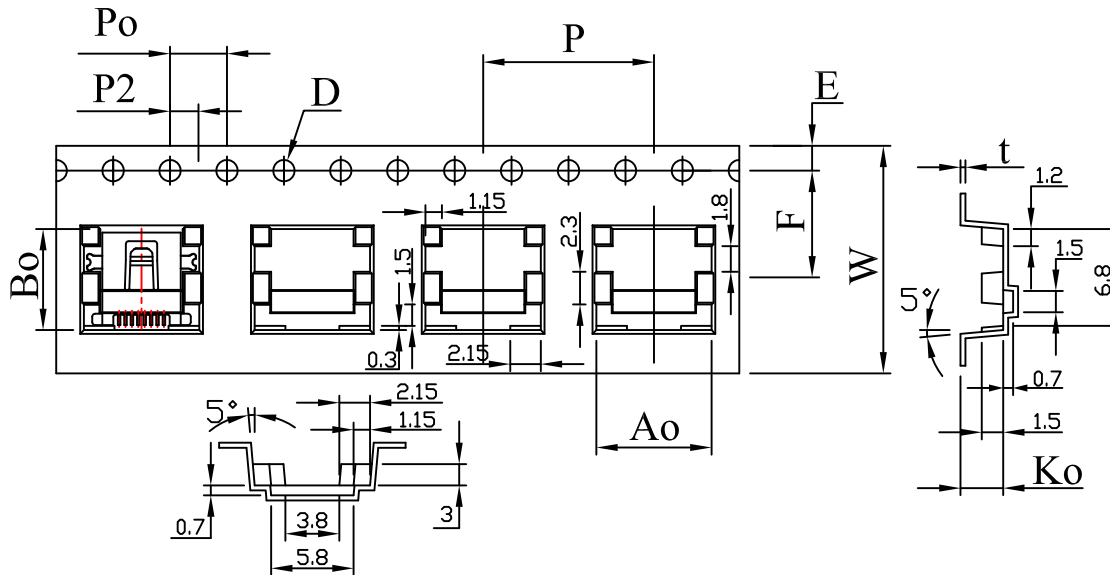
步驟三:

1. 用膠帶將紙箱封實.
2. 將標籤貼於紙箱上.



NOTE:

1. 若有未裝滿之零數箱,必須以緩衝材塞滿.
2. 在搬運過程中要輕拿輕放.
3. 載運輸中不可堆放過多,不可有重壓現象.
4. 在裝滿產品後,必須空留帶前和帶後15格以上,然後用紙膠布貼上.
5. 上帶在貼下帶時必須平整,且黏貼處不要出現氣泡.



ITEM	SPEC
W	16.0 ^{+0.30} _{-0.30}
Ao	8.10 ^{+0.10} _{-0.10}
Bo	7.10 ^{+0.10} _{-0.10}
Ko	3.00 ^{+0.10} _{-0.10}
P	12.0 ^{+0.10} _{-0.10}
F	7.50 ^{+0.10} _{-0.10}
E	1.75 ^{+0.10} _{-0.10}
D	1.50 ^{+0.10} _{-0.10}
D1	0.00 ^{+0.10} _{-0.10}
Po	4.00 ^{+0.10} _{-0.10}
P2	2.00 ^{+0.10} _{-0.10}
t	0.35 ^{+0.05} _{-0.05}

RoHS Compliant

TOLERANCES ARE

MORETHANALL
PCB CONNECTORS
Cable ASSEMBLIES

DRAWING BY CY

X, ±

CHECKED BY GENIUS

.X ± 0.20

UNIT / mm

SCALE 1 : 1

.XX ± 0.10

.XXX ± 0.05

ANG ±

DATE

SIZE A4

PPOJECTION

照片框

ORDER INFORMATION

MSB-SWEEPR-8AB-LF

SERIES | | | | LEADFREE
8 PIN AB TYPE

FEMALE | | | | REEL
POST
EAR+EAR
90°SMT

煜倫股份有限公司

www.morethanall.com

DESCRIPTION: MINI USB 8PIN (F) 單排 前後SMT 雙缺口