

Recommended PCB Layout(T=0.8)

Specification

*Electrical Characteristics:

- Contact Current Rating: 0.5 Amperes.
- Dielectric Withstanding Voltage: AC100V r.m.s.
- Insulation Resistance: 100 MΩ Minimum.
- Contact Resistance: 50 mΩ Maximum.

*Environmental:

- Operating Temperature: -25°C~+65°C.

*Environmental:

- Mating Cycles: 10,000 Insertions.

*Material:

- Insulator: HI-Temp Plastic UL 94V-0 Rated.
- Contact: Copper Alloy(t=0.15mm).
- Shell: Copper Alloy(t=0.25mm).

RoHS Compliant

TOLERANCES ARE

MORETHANALL
PCB CONNECTORS
Cable ASSEMBLIES

DRAWING BY CY

CHECKED BY GENIUS

UNIT / mm

SCALE 1 : 1

DATE

SIZE A4

X, ±
.X ± 0.38
.XX ± 0.25
.XXX ± 0.13
ANG ± 2°

PJECTION

照片框

ORDER INFORMATION

MSB-SWEEPCR-10AB-LF
SERIES | REEL | LEADFREE
FEMALE | CAP | 10 PIN AB TYPE
90°SMT | POST | EAR+EAR

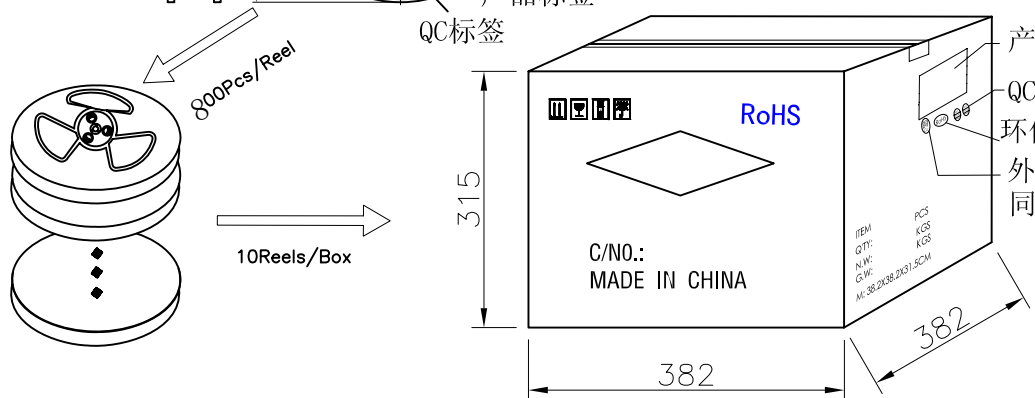
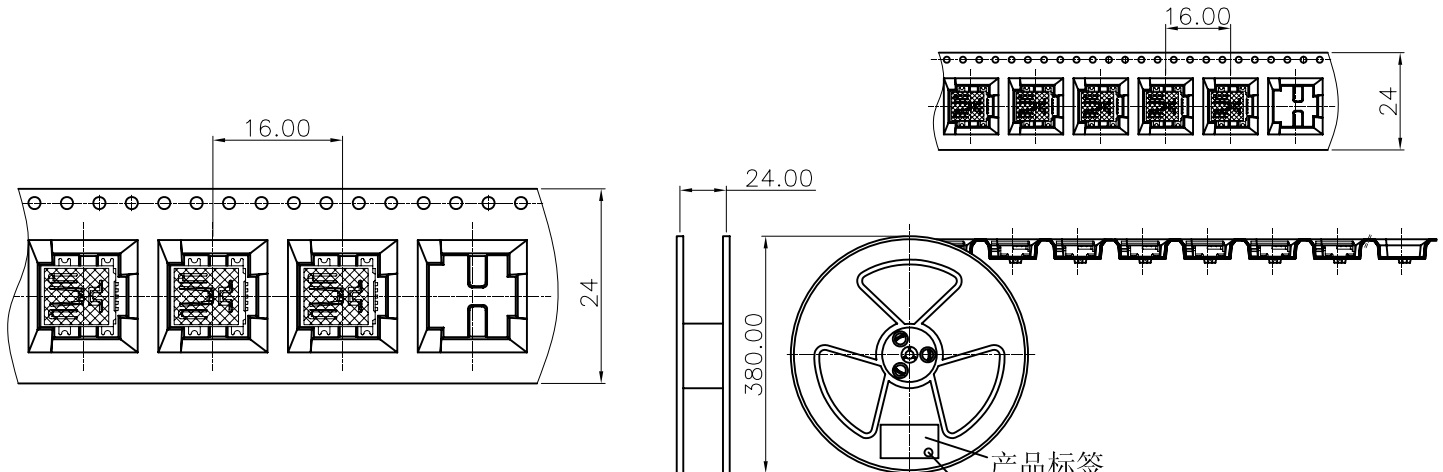
DESCRIPTION:

煜倫股份有限公司

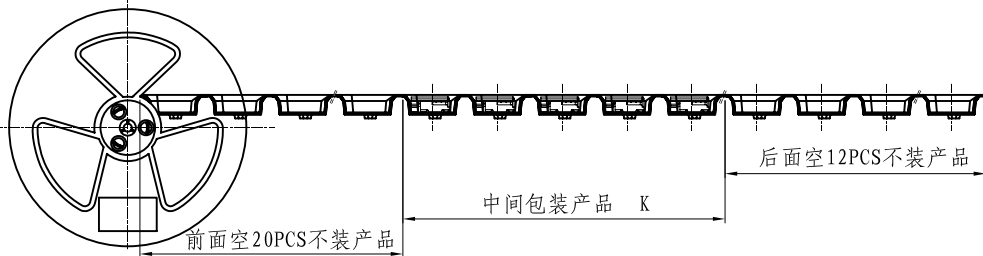
www.morethanall.com

适用以下产品载带包装:

mini usb 10pin



产品标签
QC印章, 加盖于标签的右下方
环保标签
外壳为铜时加贴铜标签
同时内部每盘右上角加贴小铜标



1. 将全检后的载带包装产品卷整齐的放入规格为 382*382*315mm的纸箱中, 每箱装10盘共 8000PCS.
2. 卷带盘加贴产品标签及QC标签(位于产品标签的右下角)
3. 用透明胶封好纸箱, 并贴好标签和加盖QC PASS章
4. 客户有特殊要求时按客户要求来进行
5. 月份标签按月份标签粘帖作业规范进行

RoHS Compliant

TOLERANCES ARE



煜倫股份有限公司

www.morethanall.com

DRAWING BY CY		X. ± 0.50
CHECKED BY GENIUS		.X ± 0.30
UNIT / mm	SCALE 1 : 1	.XX ± 0.15
DATE		.XXX ±
SIZE A4	PJECTION	ANG ± 3°



ORDER INFORMATION

MSB-SWEEPCR-10AB-LF
SERIES | | | | LEADFREE
FEMALE | | | | REEL
90°SMT | | | | CAP
POST
EAR+EAR

DESCRIPTION: