

Note:

1.Material:

- 1.1 Insulator: LCP UL 94-V0 rated.
- 1.2 Contact: Phosphor bronze, t=0.25mm.
- 1.3 Shell: Phosphor bronze, t=0.4mm.

2.specification:

- 2.1 Current rating:1A MAX.
- 2.2 Dielectric withstanding voltage:500 v(ac) far minuta.
- 2.3 Contact resistance: 30 mΩ max.
- 2.4 Insulation resistance: 1000 MΩ min at DC 500V.
- 2.5 Total mating force: 3.57 kgf max.
- 2.6 Total unmating force: 0.71 kgf min.
- 2.7 Temperature range: -55°C~+105°C.

3.Finishes:

- 3.1 Contacts: Gold flashed 1U",3U",5U",10U",15U",30U"
- 3.2 Shell: Nickel plated.

3	SHELL	1	Phosphor Bronze	T=0.40±0.02mm	Nickel Plated
2	CONTACT	5	Phosphor Bronze	T=0.25±0.02mm	Gold Flashed
1	HOUSING	1	LCP		Black
No.	Part Name	Q'ty	Material	Thickness	Finish

RoHS Compliant

TOLERANCES ARE

**MORETHANALL**  
PCB CONNECTORS  
Cable ASSEMBLIES

煜倫股份有限公司

www.morethanall.com

DRAWING BY CY

CHECKED BY GENIUS

UNIT / mm SCALE 1 : 1

DATE

SIZE A4

X, ±  
.X ± 0.30  
.XX ± 0.20  
.XXX ± 0.10  
ANG ±

PJECTION

照片框

ORDER INFORMATION

MSB-SWE42PCR-5B-LF  
SERIES | T | LEADFREE  
5 PIN B TYPE  
REEL  
MYLAR  
POST  
EAR TO EAR 4.25mm  
FEMALE 90°SMT

DESCRIPTION: MINI-U.S.B 5P B FEMALE S.M.T

1. 適用範圍:

適用於 Mini-USB 系列產品.

2. 包裝方式:

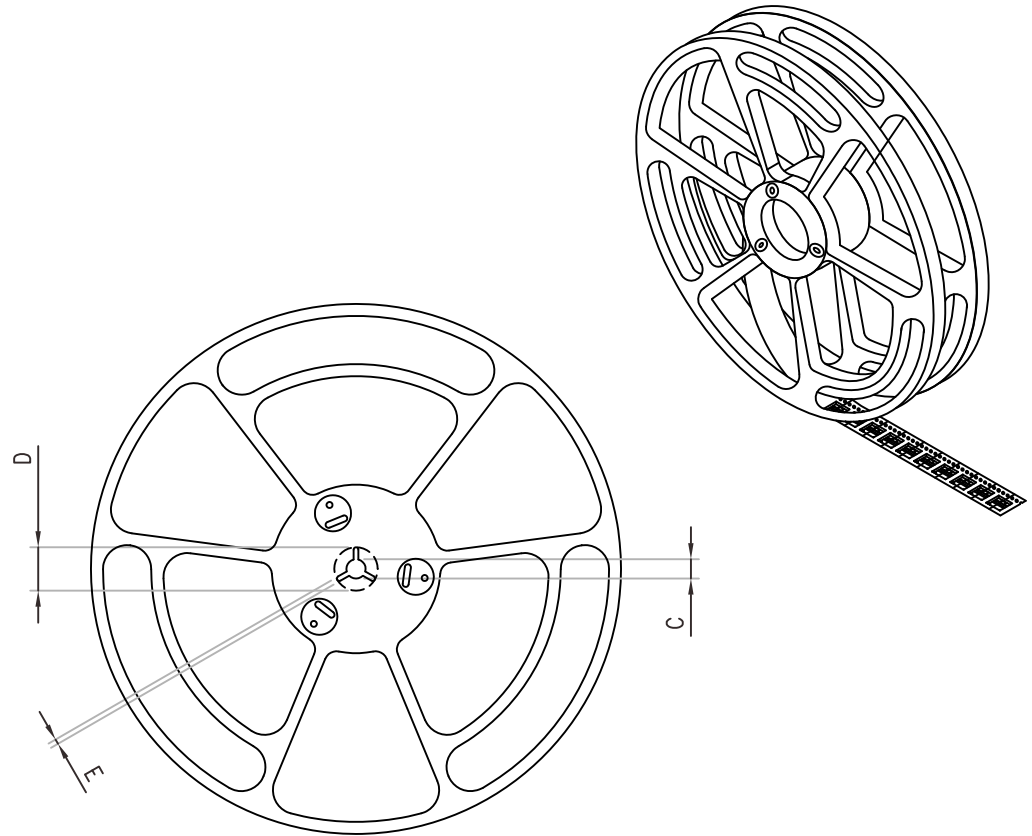
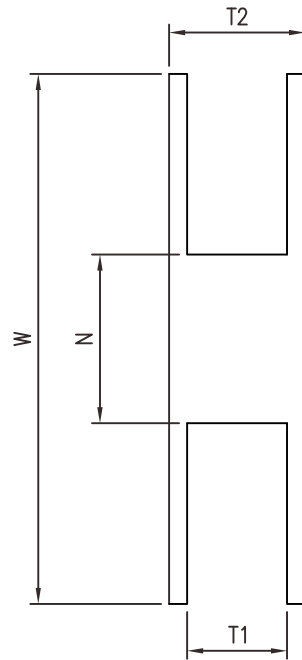
2.1: MUSB以捲狀包裝，每一捲可放置500 PCS。

3. 包裝規格:

3.1 TAPE & REEL:

3.1.1 規格: 參閱表格

3.1.2 顏色: 依照客戶需求



W	N	T1	T2	D	E	C
330±1.5	100±1.5	24.5 $\begin{smallmatrix} +0.2 \\ -0.1 \end{smallmatrix}$	29.1 ±2.0	21.5 ±1.5	2.0 ±0.5	13.0 $\begin{smallmatrix} +0.5 \\ -0.2 \end{smallmatrix}$

RoHS Compliant

TOLERANCES ARE

**MORETHANALL**  
PCB CONNECTORS  
Cable ASSEMBLIES

煜倫股份有限公司

www.morethanall.com

DRAWING BY CY

CHECKED BY GENIUS

UNIT / mm

SCALE 1 : 1

DATE

SIZE A4

X, ±  
.X ± 0.30  
.XX ± 0.20  
.XXX ± 0.10  
ANG ±

P PROJECTION

照片框

ORDER INFORMATION

MSB-SWE42PCR-5B-LF  
SERIES  
FEMALE  
90°SMT  
LEADFREE  
5 PIN B TYPE  
REEL  
MYLAR  
POST  
EAR TO EAR 4.25mm

DESCRIPTION: MINI-U.S.B 5P B FEMALE S.M.T