

Note:

1.Material:

- 1.1 Insulator: LCP OR PA46 UL 94-V0 rated.
- 1.2 Contact: Phosphor bronze, t=0.25mm.
- 1.3 Shell: Phosphor bronze, t=0.4mm.

2.specification:

- 2.1 Current rating: 1A MAX.
- 2.2 Dielectric withstanding voltage: 500 v(ac) far minuta.
- 2.3 Contact resistance: 30 mΩ max.
- 2.4 Insulation resistance: 1000 mΩ min at DC 500V.
- 2.5 Total mating force: 3.57 kgf max.
- 2.6 Total unmating force: 0.71 kgf min.
- 2.7 Temperature range: -55° C~+105° C.

3.Finishes:

- 3.1 Contacts: Gold flashed 1U", 3U", 5U", 10U", 15U", 30U"
- 3.2 Shell: Nickel plated.

3	SHELL	1	Phosphor Bronze	T=0.40±0.02mm	Nickel Plated	D3660XX-D
2	CONTACT	5	Phosphor Bronze	T=0.25±0.02mm	Gold Flashed	A3650XX
1	HOUSING	1	LCP		Black	JCH0056
No.	Part Name	Q'ty	Material	Thickness	Finish	Notes

RoHS Compliant

TOLERANCES ARE

MORETHANALL
PCB CONNECTORS
Cable ASSEMBLIES

煜倫股份有限公司

www.morethanall.com

DRAWING BY CY

CHECKED BY GENIUS

UNIT / mm SCALE 1 : 1

DATE

SIZE A4

X, ±

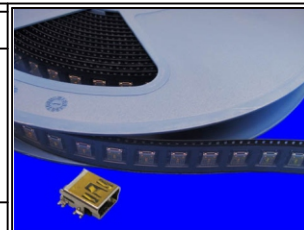
.X ±

.XX ±

.XXX ±

ANG ±

PJECTION



ORDER INFORMATION

MSB-SWE42CR-5B-LF
SERIES | LEADFREE
5 PIN B TYPE
REEL
MYLAR
FEMALE | EAR TO EAR 4.25mm
90°SMT

DESCRIPTION: MINI-U.S.B 5P B FEMALE S.M.T (無腳)

1. 適用範圍:

適用於 Mini-USB 系列產品.

2. 包裝方式:

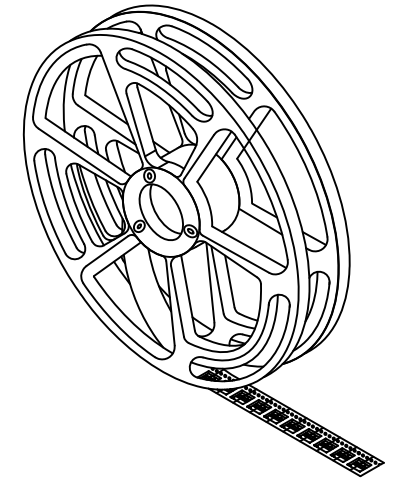
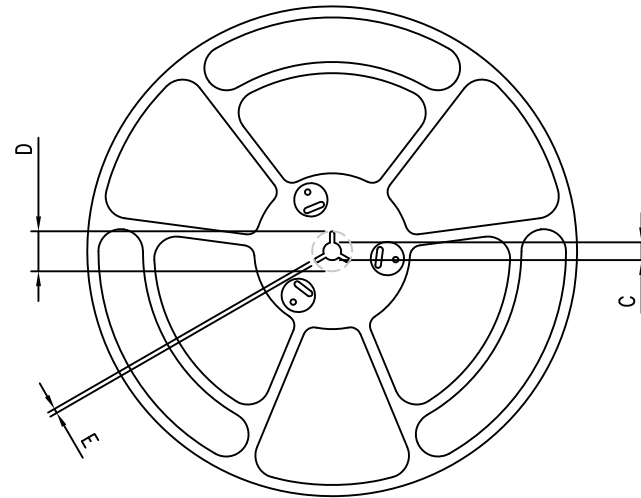
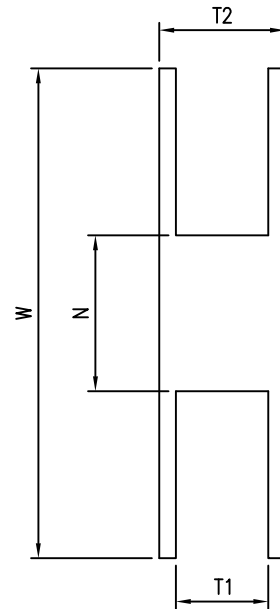
2.1: MUSB以捲狀包裝, 每一捲可放置 800 PCS.

3. 包裝規格:

3.1 TAPE & REEL:

3.1.1 規格: 參閱表格

3.1.2 顏色: 依照客戶需求



W	N	T1	T2	D	E	C
330±1.5	100±1.5	24.5 $\begin{smallmatrix} +0.2 \\ -0.1 \end{smallmatrix}$	29.1 ±2.0	21.5 ±1.5	2.0 ±0.5	13.0 $\begin{smallmatrix} +0.5 \\ -0.2 \end{smallmatrix}$

RoHS Compliant

TOLERANCES ARE

MORETHANALL
PCB CONNECTORS
Cable ASSEMBLIES

煜倫股份有限公司

www.morethanall.com

DRAWING BY CY

CHECKED BY GENIUS

UNIT / mm

SCALE 1 : 1

DATE

SIZE A4

X. ±

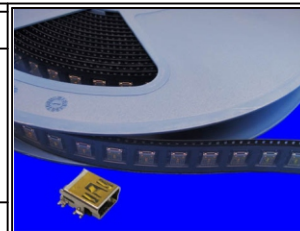
.X ±

.XX ±

.XXX ±

ANG ±

PJECTION



ORDER INFORMATION

MSB-SWE42CR-5B-LF
SERIES | REEL | LEADFREE
FEMALE | EAR TO EAR 4.25mm | 5 PIN B TYPE
90°SMT

DESCRIPTION: