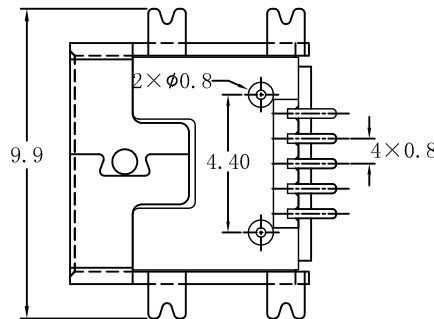
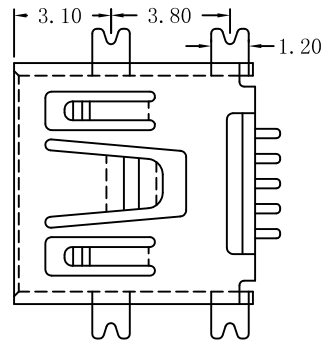


RECOMMENDED PCB LAYOUT



规格说明: Specifications:

电气特性: Electrical:

1. 额定电流: Current Rating
1.0A/contact terminal
2. 额定电压: Voltage Rating
30V DC
3. 接触阻抗: Contact Resistance
50 milliohms MAX
4. 耐电压: Dielectric Withstanding Voltage:
300 V AC AT Sea Level
5. 绝缘阻抗: Insulation Resistance:
100MEGA ohms MIN

原材料: Raw material:

1. 塑胶: Plastic cement:
Hing Temperature Thermoplastics,
LCP Black
2. 端子: Contact: Copper Alloy C2680/C5191
3. 外壳: Shell: Copper Alloy C2680

电镀: Electroplate:

1. 端子: Contact: Plated Gold in Mating Area;
Tin On Solder Talls
2. 外壳: Shell:
Nickel Plating

RoHS Compliant

TOLERANCES ARE

MORETHANALL
PCB CONNECTORS
Cable ASSEMBLIES

煜倫股份有限公司

www.morethanall.com

DRAWING BY CY

CHECKED BY GENIUS

UNIT / mm SCALE 1 : 1

DATE

SIZE A4

X, ±
.X ± 0.30
.XX ± 0.20
.XXX ± 0.10
ANG ±

PPOJECTION

照片框

ORDER INFORMATION

MSB-SWE38P6-5B-LF
SERIES | LEADFREE
5 PIN B TYPE
POST 6.10mm
EAR TO EAR 3.80mm
90°SMT
FEMALE

DESCRIPTION: MINI USB 5P/F SMT短体