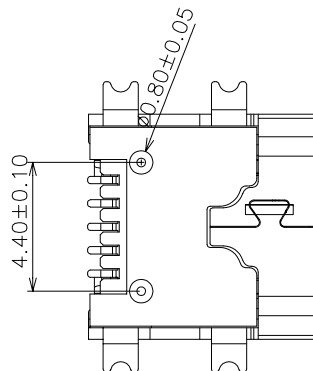
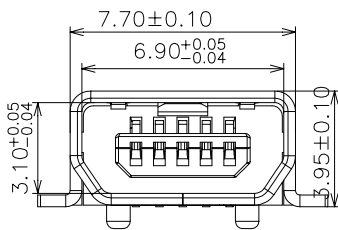
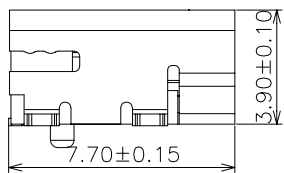
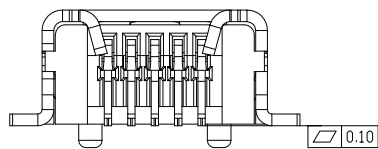


NOTES:  
 1.MECHANICAL:  
 MATING: 35N MAX.  
 WITHDRAWAL: 7N MIN,INITIAL.  
 3N MIN AFTER 5000 CYCLES.  
 DURABILITY: 5000 CYCLES MIN.  
 2.ELECTRICAL:  
 CURRENT: 1.0A MAX  
 VOLTAGE: 30V MAX  
 WITHSTANDING VOLTAGE: 100V AC  
 CONTACT RESISTANCE: 50 mΩ MAX  
 INSULATION RESISTANCE: 100MΩ MIN  
 3.ENVIRONMENTAL  
 TEMPERATURE RANGE -55°C ~ +85°C



RoHS Compliant

TOLERANCES ARE

**MORETHANALL**  
 PCB CONNECTORS  
 Cable ASSEMBLIES

DRAWING BY CY

CHECKED BY GENIUS

UNIT/ mm

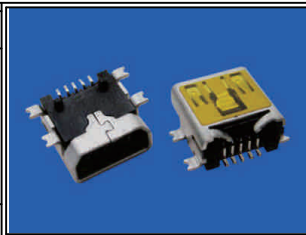
SCALE 1:1

DATE

SIZE A4

PJECTION

X. ±  
 .X ±  
 .XX ±  
 .XXX ±  
 ANG ±



ORDER INFORMATION



煜倫股份有限公司

www.morethanall.com

DESCRIPTION: MINI USB 5PIN (F) SMT AB TYPE 短體型