

NOTES:

1.MECHANICAL:

MATING: 35N MAX.

WITHDRAWAL: 7N MIN, INITIAL.

3N MIN AFTER 5000 CYCLES.

DURABILITY: 5000 CYCLES MIN.

2.ELECTRICAL:

CURRENT: 1.0A MAX

VOLTAGE: 30V MAX

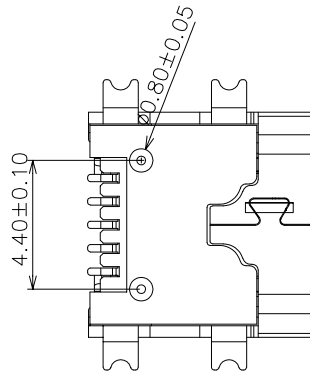
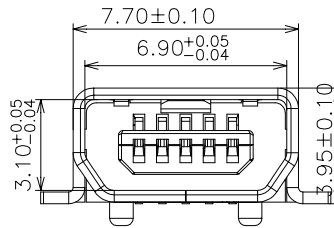
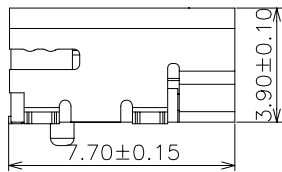
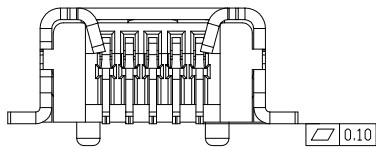
WITHSTANDING VOLTAGE: 100V AC

CONTACT RESISTANCE: 50 mΩ MAX

INSULATION RESISTANCE: 100MΩ MIN

3.ENVIRONMENTAL

TEMPERATURE RANGE -55°C ~ +85°C



RoHS Compliant

TOLERANCES ARE

MORETHANALL
PCB CONNECTORS
Cable ASSEMBLIES

DRAWING BY CY

CHECKED BY GENIUS

UNIT/mm

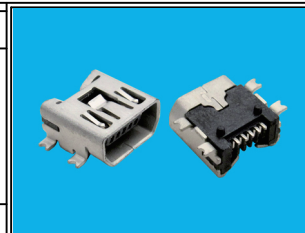
SCALE 1:1

DATE

SIZE A4

PJECTION

X. ±
.X ±
.XX ±
.XXX ±
ANG ±



ORDER INFORMATION

MSB-SWE37S30-5AB-LF
SERIES | LEADFREE
5 PIN AB TYPE
SEMI GOLD 30u"
EAR TO EAR 3.7mm
90°SMT
FEMALE

DESCRIPTION: MINI USB 5PIN (F) SMT AB TYPE 短體型

煜倫股份有限公司

www.morethanall.com