

RECOMMENDED PCB LAYOUT (ALL TOLERANCE:±0.05)

NOTES:

1.MATERIAL:

HOUSING:LCP,UL94V-0
 TERMINAL:PHOSPHOR BRONZE
 SHELL:COPPER ALLOY

2.PLATING:

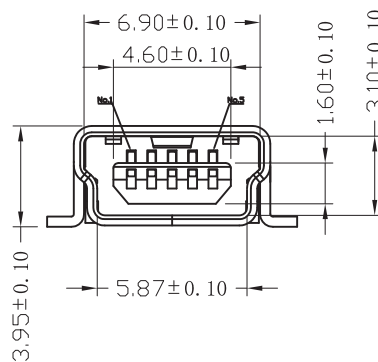
TERMINAL:GOLD PLATING ON CONTACT AREA,
 TIN PLATING ON SOLDER TAILS,
 NICKEL UNDER PLATING OVER ALL
 SHELL: TIN OR NICKEL PLATING OVER ALL

3.ELECTRICAL REQUIREMENTS:

CURRENT RATING:1AMP
 CONTACT RESISTANCE:50mOHM MAX
 INSULATION RESIISTANCE:100MOHM MIN
 DIELECTRIC WITHSTANDING VOLTAGE: 100V AC PER MINIUTE.

4.Finishes:

4.1 Contacts: Gold flashed 1U",
 3U",5U",10U",15U",30U"
 4.2 Shell: Nickel plated.



3	SHELL	1	BRASS	T=0.40±0.02mm	Nickel Plated
2	CONTACT	5	Phosphor Bronze	T=0.25±0.02mm	Gold Flashed
1	HOUSING	1	LCP		Black
No.	Part Name	Q'ty	Material	Thickness	Finish

RoHS Compliant

TOLERANCES ARE

MORETHANALL
 PCB CONNECTORS
 Cable ASSEMBLIES

煜倫股份有限公司

www.morethanall.com

DRAWING BY CY

CHECKED BY GENIUS

UNIT/mm

SCALE 1:1

DATE

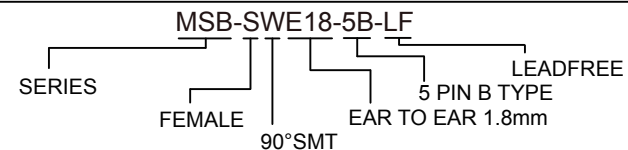
SIZE A4

PJECTION

X, ±
 .X ± 0.20
 .XX ± 0.15
 .XXX ± 0.05
 ANG ± 2°

照片框

ORDER INFORMATION



DESCRIPTION: MINI USB 5P RECEPTACLE SMT TYPE