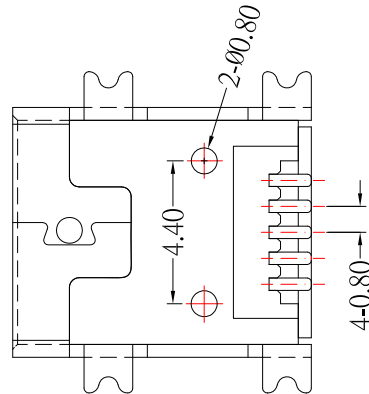
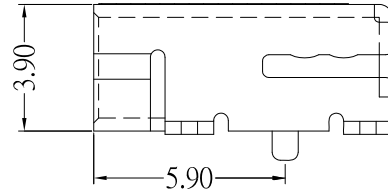
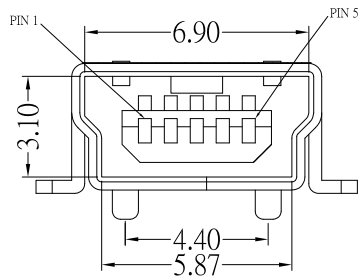


P.C.B LAYOUT MONTING PATTERN



SPECIFICATIONS

Electrical:

- 1.Current Rating: 1.0A / contact terminal
- 2.Voltage Rating: 30V DC
- 3.Contact Resistance: 50 milliohms Max
- 4.Dielectric Withstanding Voltage: 300 V AC AT Sec Level
- 5.Insulation Resistance: 100 MEGA ohms Min

Mechanical:

- 1.Connector Mate and Unmate Force
Mate force: 3.0 kgf (Max)
Unmate force: 0.7 kgf (Min)
- 2.Terminal Retention: 0.5 kgf (Min)

Material:

- 1.Housing: High Temperature Thermal Plastics, UL 94V-0 LCP Black
- 2.Contact: Phosphor Bronze
- 3.Shell: Brass
- 4.Dust Cover : PI Film (Mylar)

Finish:

- 1.Contact: Plated Gold in Mating Area ; Tin Plated on Solder Balls ; Nickel under plated overall
- 2.Shell: Nickel under plated surface layer

RoHS Compliant

TOLERANCES ARE

MORETHANALL
PCB CONNECTORS
Cable ASSEMBLIES

DRAWING BY CY

CHECKED BY GENIUS

UNIT / mm

SCALE 1 : 1

DATE

SIZE A4

PPOJECTION

Up to 5 ±0.2
Above 5 ~ 30 ±0.3
Above 30 ~ 50 ±0.4
Above 50 ±0.5
Angle ±0.3

照片框

ORDER INFORMATION

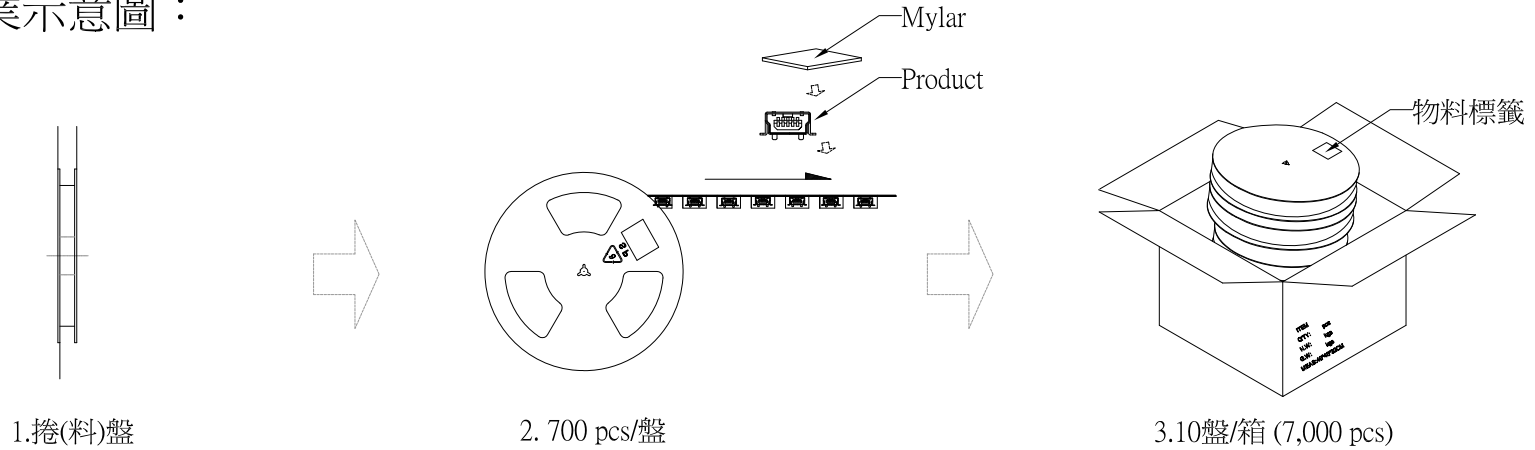
MSB-SWCR-5B-LF
SERIES | REEL | MYLAR | 90°SMT | FEMALE | LEADFREE | 5 PIN B TYPE

煜倫股份有限公司

www.morethanall.com

DESCRIPTION:

包裝作業示意圖：



1.捲(料)盤

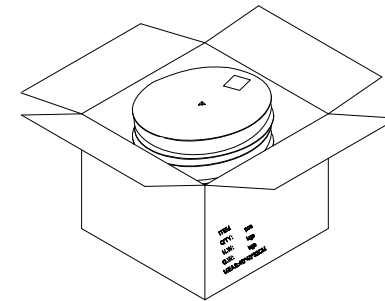
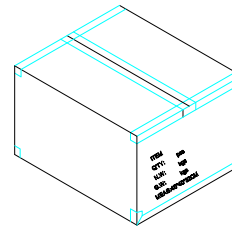
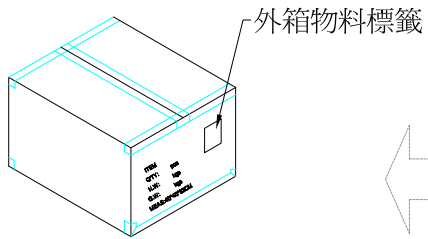
2. 700 pcs/盤

3.10盤/箱 (7,000 pcs)

6.依圖示貼上物料標籤或環保標籤

5.使用透明膠帶封裝外箱

4.每箱裝10盤，尾數箱(未滿)在多餘空間，加裝填充物。



註記:

- 1.捲(料)盤：330 x 28 mm；
- 2.每盤裝700PCS；
- 3.每箱裝10盤(7,000 pcs)；
- 4.外箱尺寸：長X寬X高 36 x 36 x 32 cm；
- 5.產品放入紙箱後，將紙箱擺放好，貼好包裝膠帶，然後在紙箱上貼上物料標籤，及環保標籤。

RoHS Compliant

TOLERANCES ARE

MORETHANALL
PCB CONNECTORS
Cable ASSEMBLIES

煜倫股份有限公司

www.morethanall.com

DRAWING BY CY

CHECKED BY GENIUS

UNIT / mm SCALE 1 : 1

DATE

SIZE A4

X, ±

.X ±

.XX ±

.XXX ±

ANG ±

PPOJECTION

照片框

ORDER INFORMATION

MSB-SWCR-5B-LF
SERIES | REEL | MYLAR | 90°SMT | FEMALE | LEADFREE | 5 PIN B TYPE

DESCRIPTION: