

P.C.B LAYOUT MOUNTING PATTERN

**SPECIFICATIONS**

**Electrical:**

- 1.Current Rating: 1.0A / contact terminal
- 2.Voltage Rating: 30V DC
- 3.Contact Resistance: 50 milliohms Max
- 4.Dielectric Withstanding Voltage:  
300 V AC AT Sec Level
- 5.Insulation Resistance: 100 MEGA ohms Min

**Mechanical:**

- 1.Connector Mate and Unmate Force  
Mate force: 3.0 kgf (Max)  
Unmate force: 0.7 kgf (Min)
- 2.Terminal Retention: 0.5 kgf (Min)

**Material:**

- 1.Housing:  
High Temperature Thermal Plastics,  
UL 94V-0 LCP Black
- 2.Contact: BRASS / PHOSPHOR BRONZE
- 3.Shell: BRASS

**Finish:**

- 1.Contact: Plated Gold in Mating Area ;  
Tin Plated on Solder Balls ;  
Nickel under plated overall
- 2.Shell: Nickel under Plated surface layer

RoHS Compliant

TOLERANCES ARE

**MORETHANALL**  
PCB CONNECTORS  
Cable ASSEMBLIES  
煜倫股份有限公司

DRAWING BY CY

CHECKED BY GENIUS

UNIT / mm

SCALE 1 : 1

DATE

SIZE A4

P PROJECTION

Up to 5 ±0.2  
Above 5 ~ 30 ±0.3  
Above 30 ~ 50 ±0.4  
Above 50 ±0.5  
Angle ±0.3°

照片框

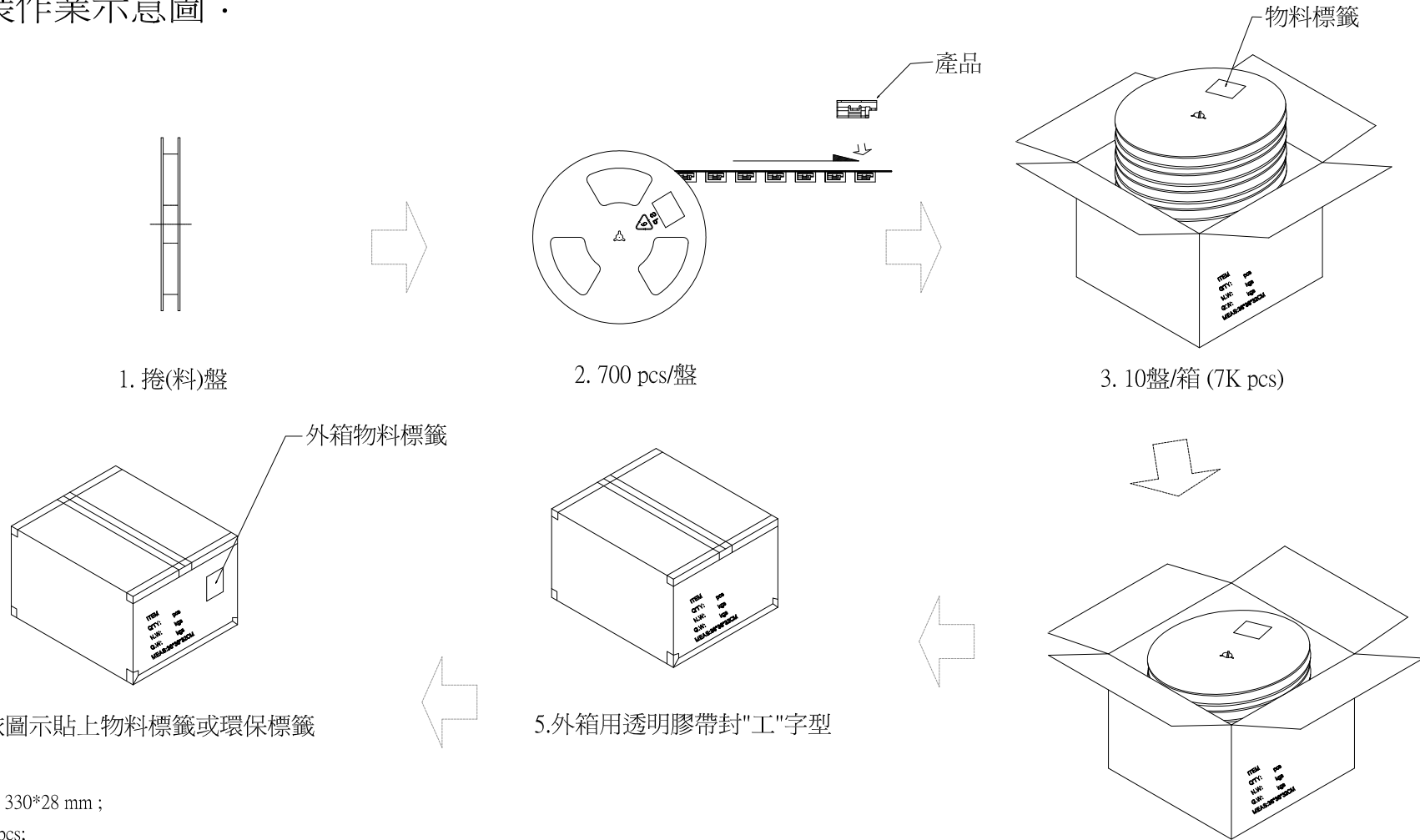
ORDER INFORMATION

MSB-SWCR-5AB-LF  
SERIES | | | LEADFREE  
5 PIN AB TYPE  
REEL  
MYLAR  
FEMALE 90°SMT

DESCRIPTION: MINI USB 2.0 AB TYPE

www.morethanall.com

# 包裝作業示意圖：



1. 捲(料)盤

2. 700 pcs/盤

3. 10盤/箱 (7K pcs)

6. 依圖示貼上物料標籤或環保標籤

5. 外箱用透明膠帶封"工"字型

4. 每箱裝10盤，尾數箱(未滿)在多餘空間，加裝填充物。

註記:

- 1. 捲(料)盤： 330\*28 mm ；
- 2. 每盤裝700pcs；
- 3. 每箱裝10盤(7K pcs) ；
- 4. 外箱尺寸：長X寬X高 36\*36\*35 cm ；
- 5. 外箱用透明膠帶封"工"字型；
- 6. 然後在紙箱上貼上物料標籤，及環保標籤。

**RoHS Compliant**

TOLERANCES ARE

**MORETHANALL**  
PCB CONNECTORS  
Cable ASSEMBLIES

DRAWING BY CY

X, ±

CHECKED BY GENIUS

.X ±

UNIT / mm

SCALE 1 : 1

.XX ±

DATE

.XXX ±

ANG ±

照片框

**ORDER INFORMATION**

**MSB-SWCR-5AB-LF**  
SERIES | | | | LEADFREE  
FEMALE | | | | REEL 5 PIN AB TYPE  
MYLAR 90°SMT

**煜倫股份有限公司**

www.morethanall.com

SIZE A4

PPOJECTION

DESCRIPTION: