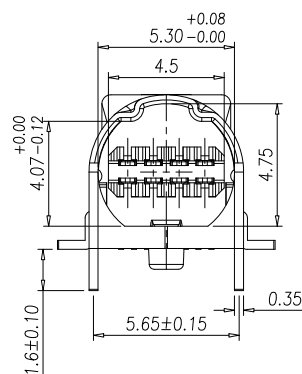
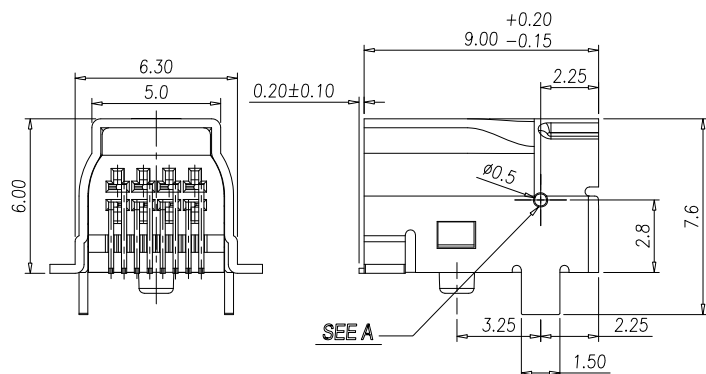
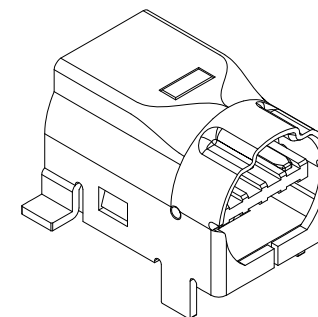


RECOMMEND P.C.B LAYOUT TOL:±0.05mm



NOTE:

1.ELECTRICAL PROPERTIES:

- 1-1.CONTACT CURRENT RATING:1A AT 250V AC MIN.
- 1-2.CONTACT RESISTANCE:50m Ohm MAX
- 1-3.INSULATION RESISTANCE:100M Ohm MIN.
- 1-4.DIELECTRIC WITHSTANDING VOLTAGE:AC 100V/1 MINUTE.

2.MATERIAL:

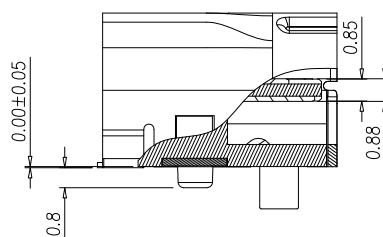
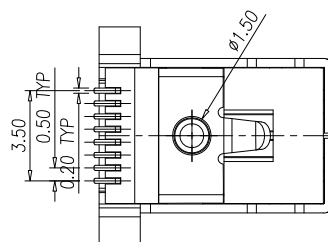
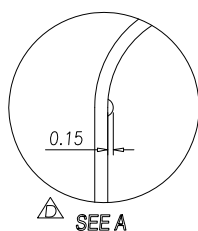
- 2-1.TERMINAL:PHOSPHOR BRONZE(C5191R-H),T=0.20±0.015mm.
- 2-2.HOUSING:LCP
- 2-3.SHELL:MATERIAL: BRASS C2680 T=0.35±0.01.
- 2-3.:GROUND SHELL: BRASS C2680 T=0.3±0.01.

3.PLATING:

- 3-1.TERMINAL: GOLD 3u" MIN ON CONTACT AREA, BRIGHT TIN 120u" MIN ON SOLDER TAILS, UNDERPLATED NICKEL OVER ALL 50u" MIN.
- 3-2.SHELL: MATTED TIN 120u" MIN ON ALL AREA, UNDERPLATED NICKEL OVER ALL 50u" MIN.
- 3-2.GROUND SHELL: NICKEL OVER ALL 50u" MIN.

PARTS LIST

| NO. | DESCRIPTION | Q'TY |
|-----|--------------|------|
| 4 | TERMINAL | 8 |
| 3 | GROUND SHELL | 1 |
| 2 | SHELL | 1 |
| 1 | HOUSING | 1 |



SECTION_BB

RoHS Compliant

TOLERANCES ARE

MORETHANALL
PCB CONNECTORS
Cable ASSEMBLIES

DRAWING BY CY

X. ±

CHECKED BY GENIUS

.X ±

UNIT / mm

SCALE 1 : 1

.XX ±

DATE

.XXX ±

ANG ±

SIZE A4

PJECTION



ORDER INFORMATION

MSB-SW-8B-LF
SERIES | LEADFREE
8 PIN B TYPE
90°SMT
FEMALE

煜倫股份有限公司

www.morethanall.com

DESCRIPTION: