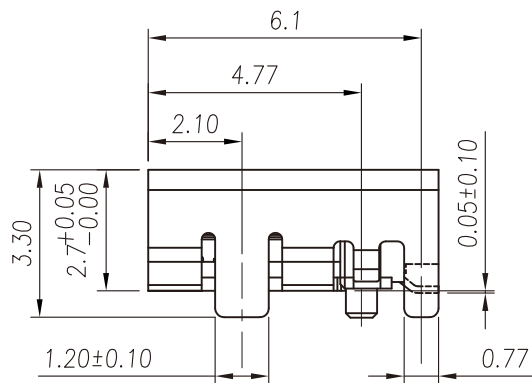
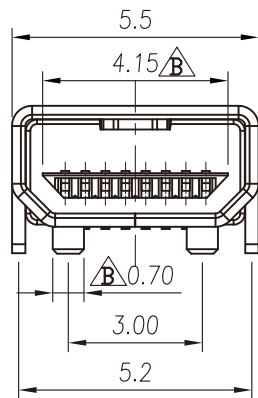
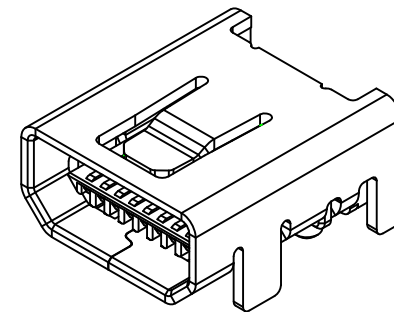


PCB LAYOUT



1. MATERIAL :
  - 1-1. HOUSING : LCP ; COLOR : BLACK
  - 1-2. CONTACT : PHOSPHOR BRONZE
  - 1-3. SHELL : PHOSPHOR BRONZE
2. FINISH :
  - 2-1. CONTACT : GOLD 10u"  
UNDER PLATE : NICKEL
  - 2-2. SHELL : GOLD FLASH OVER ALL  
UNDER PLATE : NICKEL

RoHS Compliant

TOLERANCES ARE

**MORETHANALL**  
PCB CONNECTORS  
Cable ASSEMBLIES

煜倫股份有限公司

www.morethanall.com

DRAWING BY CY

CHECKED BY GENIUS

UNIT / mm

SCALE 1 : 1

DATE

SIZE A4

PPOJECTION

X, ±  
.X ± 0.20  
.XX ± 0.10  
.XXX ± 0.05  
ANG ±

照片框

ORDER INFORMATION

MSB-SW-8AB-LF  
SERIES | LEADFREE  
8 PIN AB TYPE  
90°SMT  
FEMALE

DESCRIPTION: MINI USB 8(F) 贴片 SMT