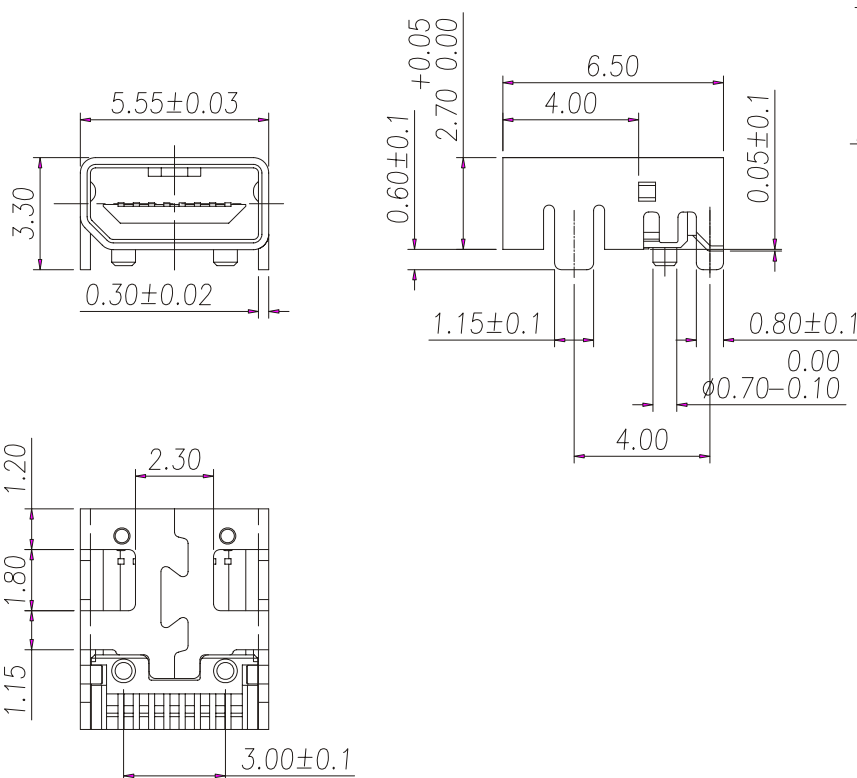
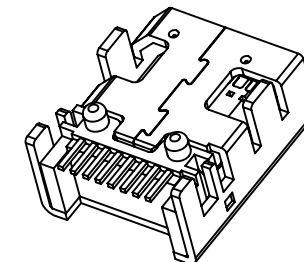


RECOMMENDED P.C.B. LAYOUT



Specifications:

1.Electrical:

- 1-1 Rating: AC 250V/1A
- 1-2 Contact Resistance: 50m Ohm or less
- 1-3 Insulation Resistance: 100M Ohm Min at DC500V
- ▲ 1-4 Dielectric Withstanding Voltage: AC 100V for 1 minute(Cut-off: 0.5mA)

2.Mechanical:

- 2-1 Insertion force: 35N (3.57kgf) max.
- 2-2 Withdrawal Force: 1N (0.1kgf) min.

3.Operation Temperature and Time:

- 3-1 Temperature: 245 +/- 5 degree C
- 3-2 Time: 6 to 8 seconds

NOTE:

1.MATERIAL

- 1-1 CONTACT: PHOSPHOR BRONZE
- 1-2 HOUSING: LCP
- 1-3 SHELL: PHOSPHOR BRONZE

2.PLATING

- 2-1 CONTACT: GOLD 10u"
- 2-2 SHELL: GOLD FLASH

| BOM |         |
|-----|---------|
| 8   | CONTACT |
| 1   | SHELL   |
| 1   | HOUSING |
| 數量  | 零件      |

RoHS Compliant

TOLERANCES ARE

**MORETHANALL**  
PCB CONNECTORS  
Cable ASSEMBLIES

DRAWING BY CY

X, ±

CHECKED BY GENIUS

.X ±

UNIT / mm

SCALE 1 : 1

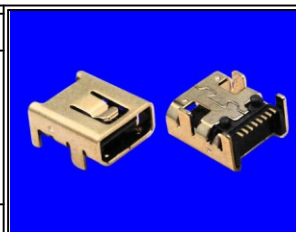
.XXX ±

DATE

ANG ±

SIZE A4

PJECTION



ORDER INFORMATION

MSB-SW-8A-LF  
SERIES | LEADFREE  
8 PIN A TYPE  
90°SMT  
FEMALE

煜倫股份有限公司

www.morethanall.com

DESCRIPTION: MINI USB 8PIN (F) 單排 DIP 單缺口