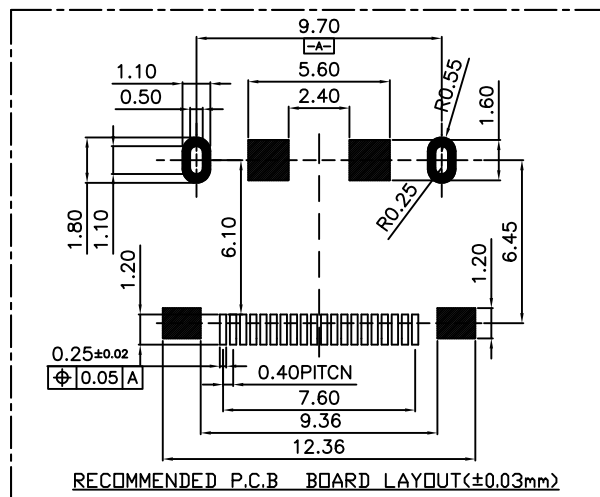
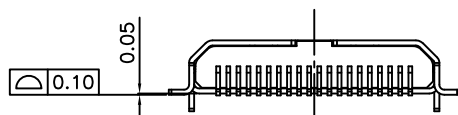
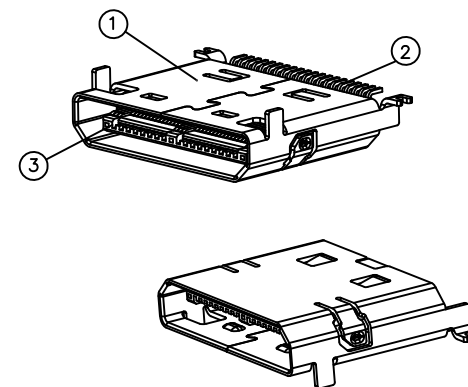
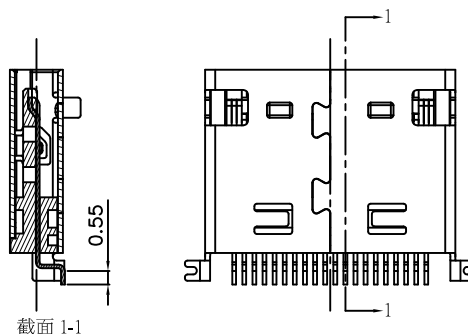
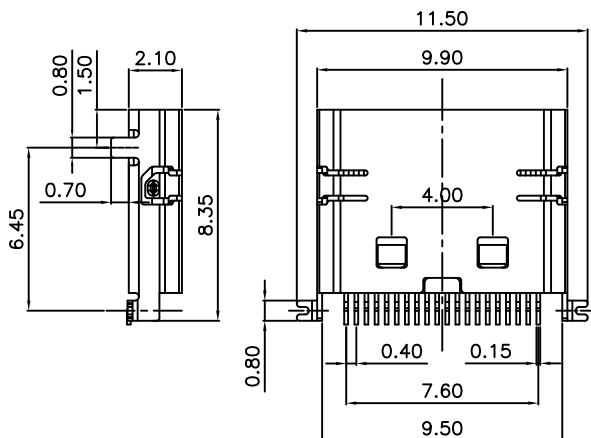


ITEM 項目	PARTS NAME 零件名稱	Q'TY 數量	MATERIAL 材質	FINISH/REMARK 處理/備註
1	SHELL	1	SUS 304	50u" NICKEL,100u" TIN
2	CONTACT	20	Phosphor Bronze	Contact Area:15u" Gold Flash Plating 1~3u" Gold Flash Over All
3	HOUSING	1	L.C.P	(Black)



SPECIFICATION
 MATERIAL
 See drawing
 STANDARD DATA
 Rating current: 0.5A
 Working voltage: DC 3V
 ELECTRICAL
 Insulator resistance: 1000M ohms Min. @ 250 VDC
 Withstanding voltage: 250 VAC / minute
 Contact resistance: 60 m ohms Max.
 MECHANICAL
 Mating force: 30N(3.06kgf) Max.
 Unmating force (Without lock): 4.2N(0.43kgf) Min.
 Durability: 10000 cycles Min.
 Contact retention force: 4.2N(0.43kgf) Min

RoHS Compliant

TOLERANCES ARE

MORETHANALL
 PCB CONNECTORS
 Cable ASSEMBLIES

DRAWING BY CY

CHECKED BY GENIUS

UNIT / mm

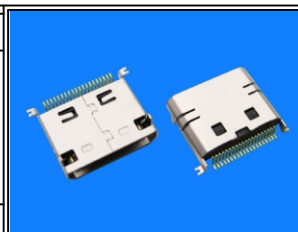
SCALE 1 : 1

DATE

SIZE A4

PJECTION

X, ±
 .X ±
 .XX ±
 .XXX ±
 ANG ±



ORDER INFORMATION

MSB-SW-20-LF
 SERIES | LEADFREE
 20 WAY
 90°SMT
 FEMALE

煜倫股份有限公司

www.morethanall.com

DESCRIPTION: I/O CONNECTOR SMT TYPE-20 position