

RECOMMEND PCB LAYOUT ±0.05

NOTE:

1.ELECTRICAL PROPERTIES:

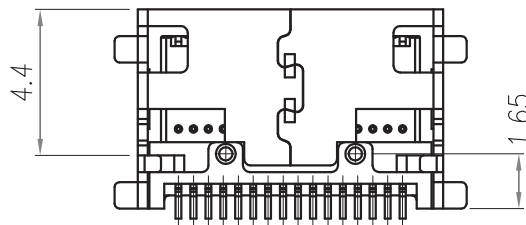
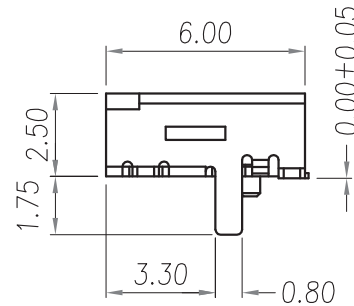
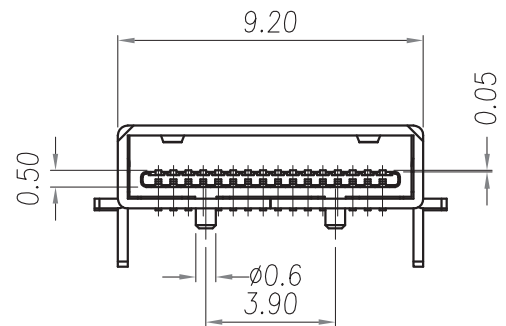
- 1-1.RATING:DC 30V/1A.
- 1-2.CONTACT RESISTANCE:30m Ohm MAX
- 1-3.INSULATION RESISTANCE:500M Ohm MIN AT DC100V.
- 1-4.DIELECTRIC WITHSTANDING VOLTAGE:AC 250V/1 MINUTE.

2.MATERIAL:

- 2-1.PIN:PHOSPHOR BRONZE(C5191R).
- 2-2.HOUSING: LCP(E480i).
- 2-3.SHELL:PHOSPHOR BRONZE(C5210R).

3.PLATING:

- 3-1.PIN: GOLD 10u" MIN ON CONTACT AREA,
SHINE TIN 80u" MIN ON SOLDER TAILS,
UNDERPLATED NICKEL OVER ALL 50u" MIN.
- 3-2.SHELL: GOLD FLASH/ NICKEL OVER ALL 50u" MIN.



RoHS Compliant

TOLERANCES ARE

MORETHANALL
PCB CONNECTORS
Cable ASSEMBLIES

DRAWING BY CY

CHECKED BY GENIUS

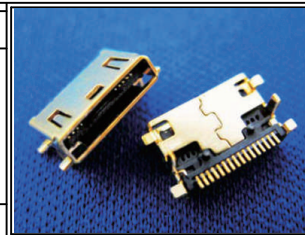
UNIT/mm SCALE 1:1

DATE

SIZE A4

X, ±
.X ± 0.20
.XX ± 0.10
.XXX ± 0.05
ANG ± 1°

PJECTION



ORDER INFORMATION

MSB-SW-16A-LF



煜倫股份有限公司

www.morethanall.com

DESCRIPTION: MINI USB 16PIN(F) SOCKET