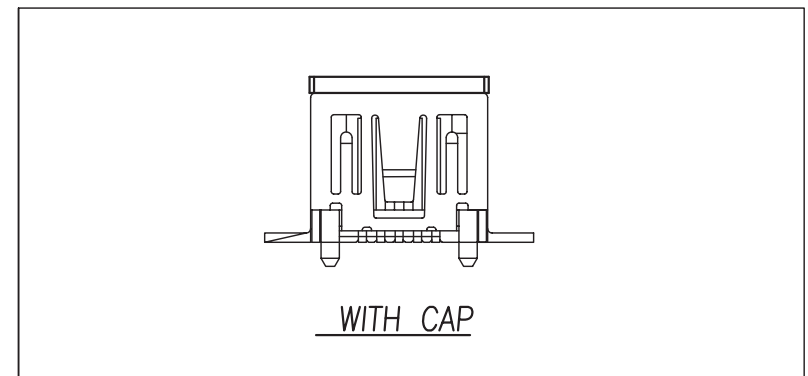
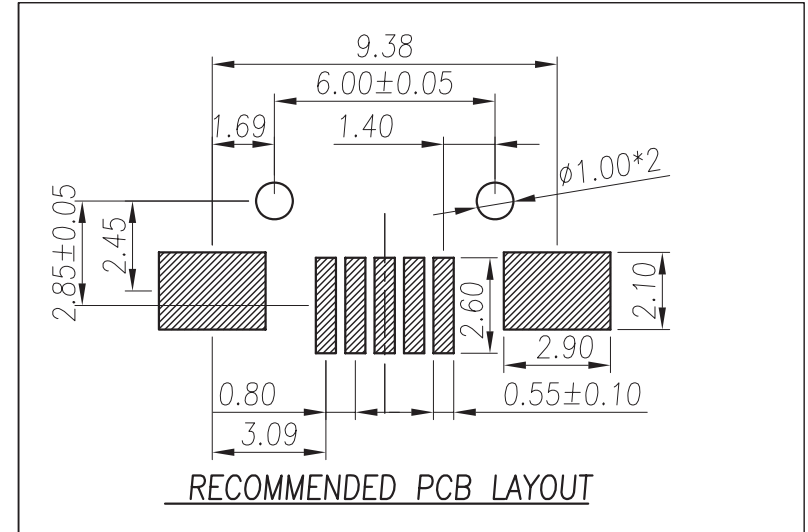


1.MATERIAL:

- 1-1.Housing:LCP
- 1-2.CONTACT:PHOSPHOR BRONZE
- 1-3.SHELL:BRASS
- 1-4.CAP:LCP

2.PLATING:

- 2-1.CONTACT:GOLD 10u" ON CONTACT AREA
MATTE TIN 60u"ON SOLDER AREA
BOTH OVER NICKEL 50u"
- 2-2.SHELL:NICKEL 100u"



RoHS Compliant

TOLERANCES ARE

MORETHANALL
PCB CONNECTORS
Cable ASSEMBLIES

DRAWING BY CY

CHECKED BY GENIUS

UNIT / mm

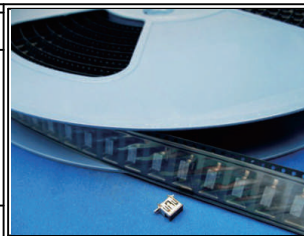
SCALE 1:1

DATE

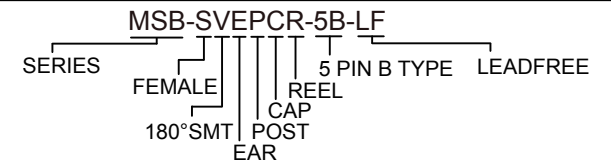
SIZE A4

PPOJECTION

X. ±
.X ±
.XX ±
.XXX ±
ANG ±



ORDER INFORMATION



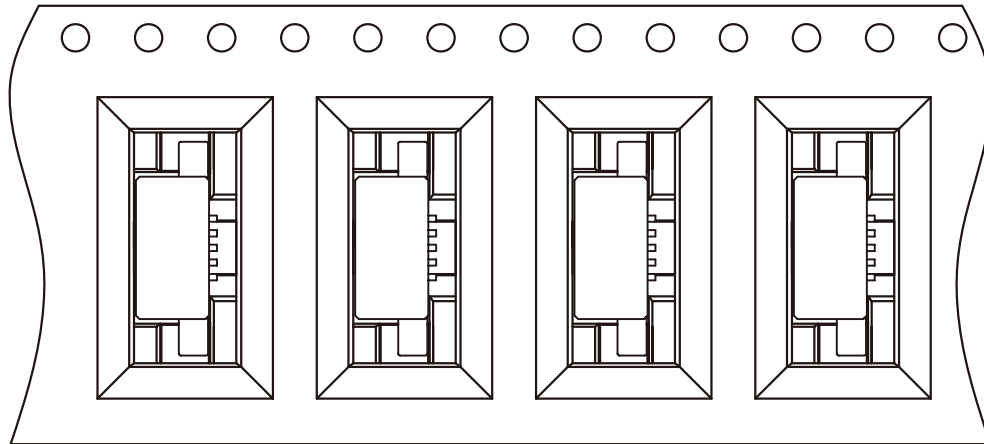
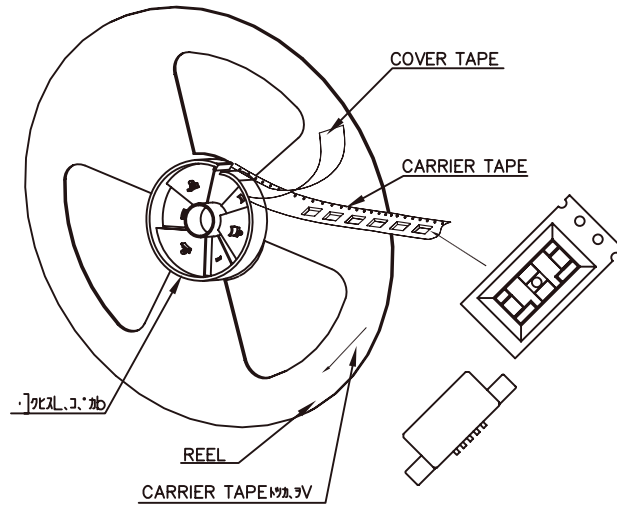
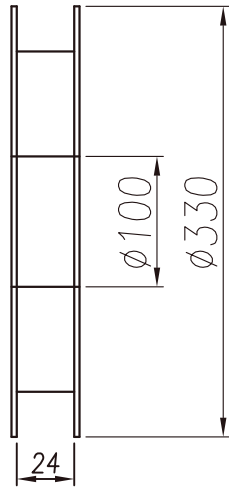
煜倫股份有限公司

www.morethanall.com

DESCRIPTION: MiniUsb 5(F) 直立式SMT(加CAP)

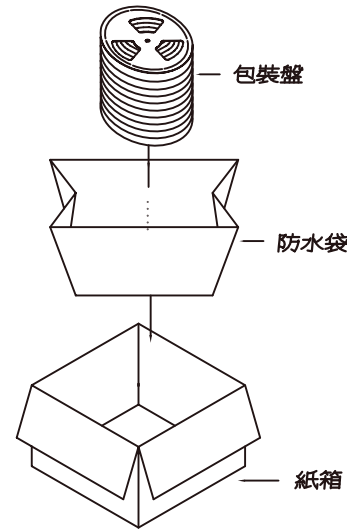
步驟一:

1. 將成品一一放入包裝盤內, 依同一方向置入.
2. 包裝方式, 如圖所示.
3. 一個包裝盤 600 pcs.



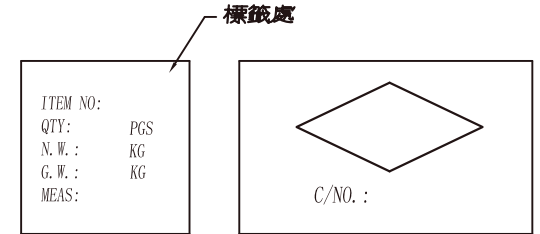
步驟二:

1. 一個紙箱可以裝 10 個包裝盤.
2. 每盤 600 pcs, 每箱 6000 pcs.
3. 將包裝盤放入防水袋中, 包裝完後再封箱.



步驟三:

1. 用膠帶將紙箱封實.
2. 將標籤貼於紙箱上.



NOTE:

1. 若有未裝滿之零數箱, 必須以緩衝材塞滿.
2. 在搬運過程中要輕拿輕放.
3. 載運輸中不可堆放過多, 不可有重壓現象.
4. 在裝滿產品後, 必須空留帶前和帶後 4 2 格, 然後用紙膠布貼上.
5. 上帶在貼下帶時必須平整, 且黏貼處不要出現氣泡.

RoHS Compliant

TOLERANCES ARE

MORETHANALL
PCB CONNECTORS
Cable ASSEMBLIES

煜倫股份有限公司

www.morethanall.com

DRAWING BY CY

CHECKED BY GENIUS

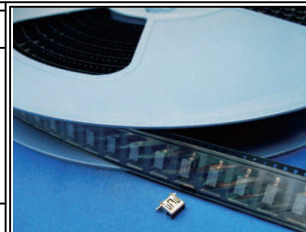
UNIT / mm SCALE 1:1

DATE

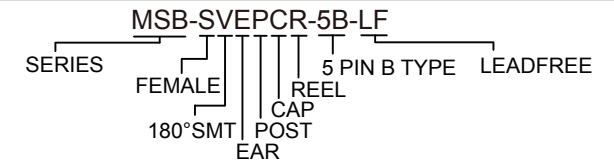
SIZE A4

X. ±
.X ±
.XX ±
.XXX ±
ANG ±

PPOJECTION



ORDER INFORMATION



DESCRIPTION: MiniUSB 5(F) 直立式SMT(加CAP)