

ITEM	DESC.	MATERIAL	REMARKS
3	HOUSING	HIGH TEMPERATURE THERMOPLASTICS	30%G.F.
2	SHELL	COPPER ALLOY (T=0.40)	OVER-PLATING: Ni 40u"
1	TERMINAL	COPPER ALLOY (T=0.20)	CONTACT AREA: Au 30u" SOLDER AREA: Sn 100u" UNDER-PLATING: Ni 50u"

RoHS Compliant

TOLERANCES ARE

**MORETHANALL**  
 PCB CONNECTORS  
 Cable ASSEMBLIES

煜倫股份有限公司

www.morethanall.com

DRAWING BY CY

CHECKED BY GENIUS

UNIT / mm

SCALE 1 : 1

DATE

SIZE A4

X, ±  
 .X ±  
 .XX ±  
 .XXX ±  
 ANG ±

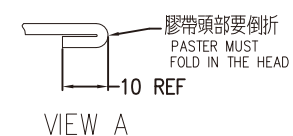
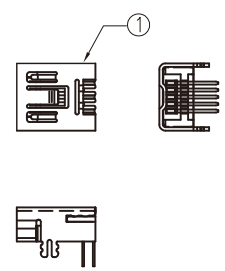
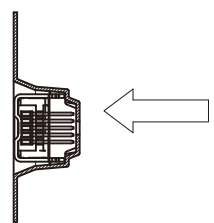
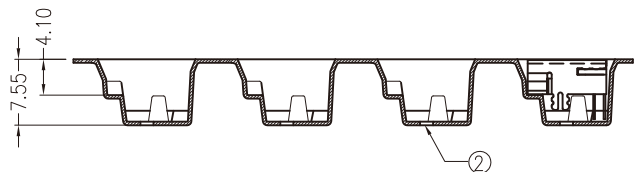
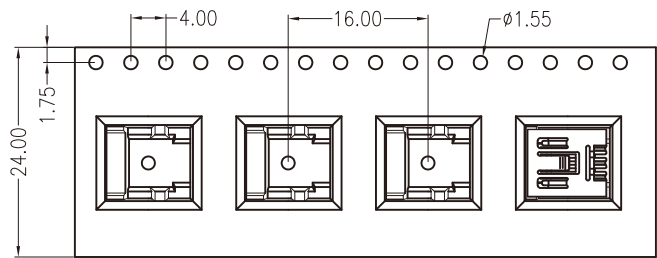
PJECTION

照片框

ORDER INFORMATION

MSB-SR38Z1R-5B-LF  
 SERIES | | | | | LEADFREE  
 | | | | | 5 PIN B TYPE  
 REEL  
 FEMALE | | | | | CLIP  
 | | | | | 3.85mm  
 DIP 90°

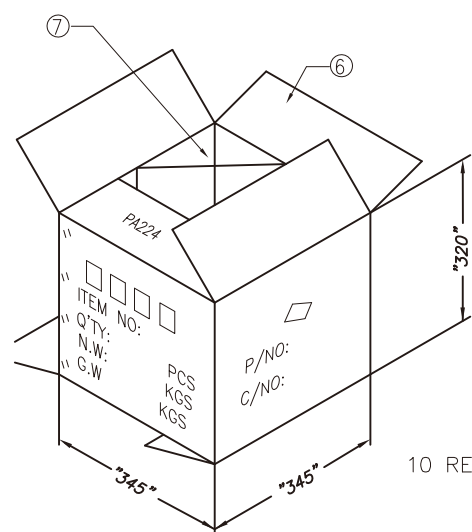
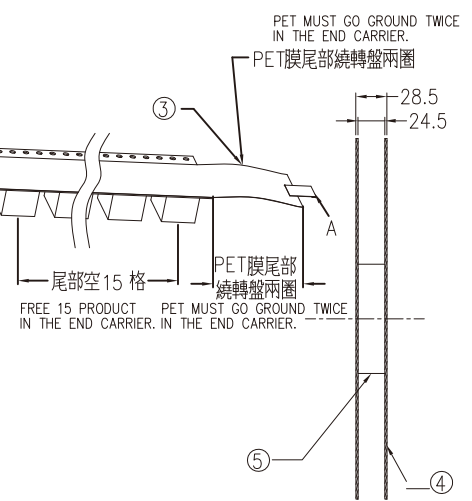
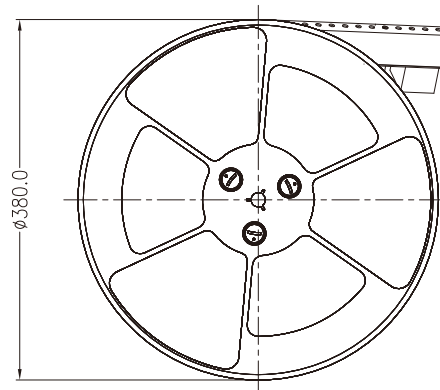
DESCRIPTION:



VIEW A

USER DIRECTION OF FEED

真空盒卷繞方向



10 REEL/CARTON

序號 NO.	項 目 ITEM	
1	包裝方式 Method of packing	000011211-000* $\Delta$
2	包裝方式說明 Packing instruction	
3	內包裝單位 Unit of inner packing	箱 CARTON
4	內包裝產品數量 Inner packing quantity	550 PCS $\Delta$
5	內包裝重量(g) Inner packing weight	472
6	外包裝單位 Unit of outer packing	箱 CARTON
7	外包裝內包裝數量 Quantity of inner packing	10
8	外包裝重量(g) Weight of outer packing	640
9	總數量 (pcs) Total quantity	5500 $\Delta$
10	長Length(mm)x寬Width(mm)x高High(mm)	345x345x320
11	數量/卷 QUANTITY/REEL	550 pcs $\Delta$
12	淨重/箱 WEIGHT/CARTON:N.W	3.19Kg $\Delta$
13	毛重/箱 WEIGHT/CARTON:G.W	8.55 $\pm$ 0.30Kg $\Delta$
14	FREE TWENTY PRODUCT IN THE FRONT CARRIER AND FREE TWENTY PRODUCT IN THE END CARRIER. 包裝帶頭部空 30格,尾端空 15 格	

5	A TYPE PAD (三角插板)	A=B	PB602*4
4	CARTON (外箱)	K=A	PA224*1
3	COVER TAPE (透明 PE 帶)	PET	PF102
2	a PLASTIC TRAY (塑膠盤)	PS T=2.0,BLUE	PK102
	b PLASTIC AXLE 塑膠軸芯	PS BLUE	PK101
	c CARRIER TAPE (捲繞式真空盒)	PS T=0.40,BLACK	PD126
1	PRODUCT (產品)		
ITEM	DESC.	MATERIAL	REMARKS

RoHS Compliant

TOLERANCES ARE



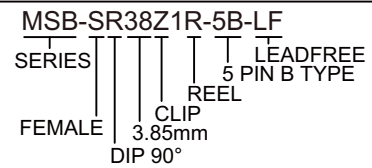
煜倫股份有限公司

www.morethanall.com

DRAWING BY CY		X, $\pm$
CHECKED BY GENIUS		.X $\pm$
UNIT / mm	SCALE 1 : 1	.XX $\pm$
DATE		.XXX $\pm$
SIZE A4	PJECTION	ANG $\pm$

照片框

ORDER INFORMATION



DESCRIPTION: