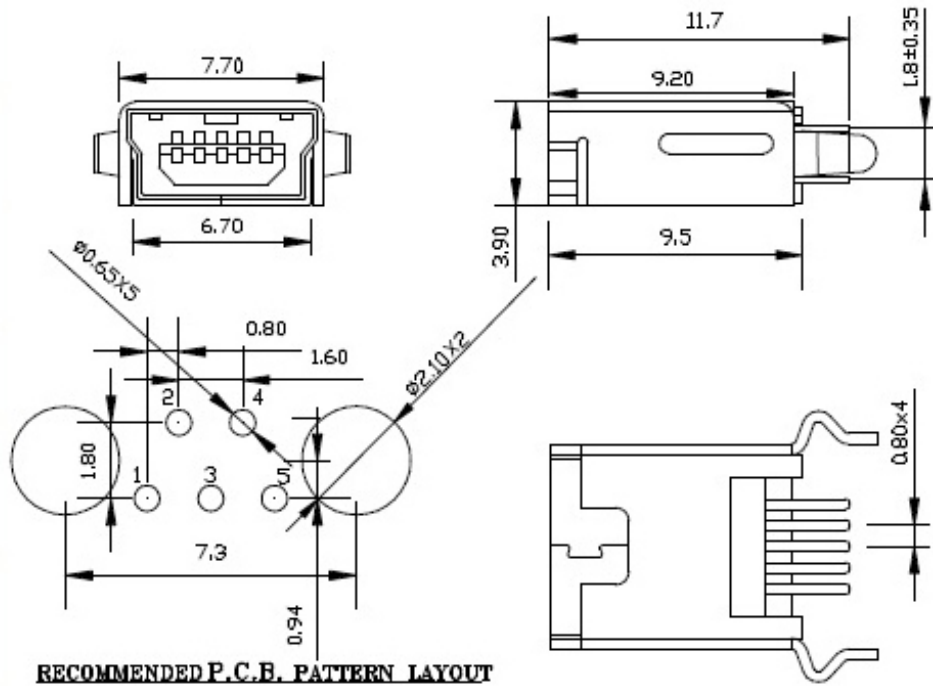


Material:

- A. Insulator : LCP GLASS FIBRE UL94 V-0 ;
- B. Contact : Phosphor Bronze.
- C. Shell : Brass.
- D. Finish :
 - Contact = Gold plated on contact area &
 - Tin plated on terminal area
 - Shell = Nickel plated.



RECOMMENDED P.C.B. PATTERN LAYOUT

RoHS Compliant

TOLERANCES ARE

MORETHANALL
PCB CONNECTORS
Cable ASSEMBLIES

煜倫股份有限公司

www.morethanall.com

DRAWING BY CY

CHECKED BY GENIUS

UNIT / mm SCALE 1 : 1

DATE

SIZE A4

X. ± 0.45
X. ± 0.30
.XX ± 0.15
.XXX ±
ANG ±

PJECTION

照片框

ORDER INFORMATION

MSB-SDD22-5B-LF
SERIES | LEADFREE
5 PIN B TYPE
DIP LONG 2.2mm
DIP 180°
FEMALE

DESCRIPTION: