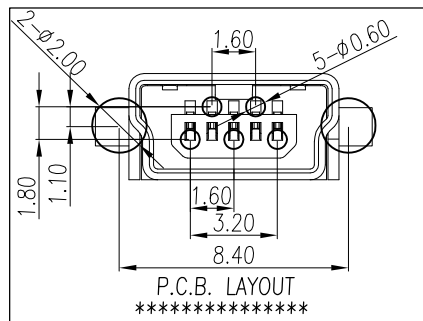
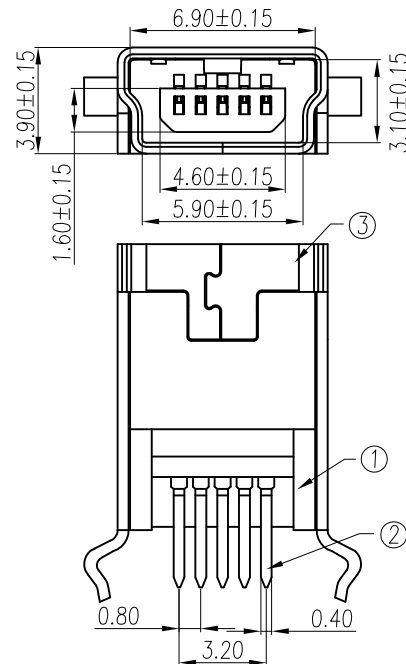
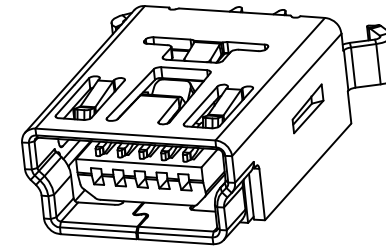


Note:

Specification:

1. Current rating: 1 A Max.
2. Dielectric withstanding voltage: 30 V(ac) for 1 minute.
3. Contact resistance: 30 mΩ Max.
4. Insulation resistance: 1000 MΩ Min at DC 500V.
5. Insertion force: 30 Newtons Max.
6. Extraction force: 5 Newtons Min.
7. Temperature range: -55°C~+105°C



No.	Name	Q'ty	Material	Remarks & Thickness	Finish
3	Shell	1	Copper Alloy	T=0.40mm	80u"min Nickel Plated
2	Contact	5	Phosphor bronze	T=0.25mm	Contact area: 0.8u" Gold Plated over 40u"Nickel min Solder area:80u"min Tin Plated over 40u"Nicked Min.
1	Housing	1	LCP	UL 94-V0	Black

RoHS Compliant

TOLERANCES ARE

MORETHANALL
PCB CONNECTORS
Cable ASSEMBLIES

DRAWING BY CY

CHECKED BY GENIUS

UNIT / mm

SCALE 1 : 1

DATE

SIZE A4

X, ±
.X ± 0.30
.XX ± 0.20
.XXX ± 0.10
ANG ± 1°

P PROJECTION

照片框

ORDER INFORMATION

MSB-SD-5B-LF

SERIES | LEADFREE
5 PIN B TYPE
DIP 180°
FEMALE

煜倫股份有限公司

www.morethanall.com

DESCRIPTION: MINI USB-5PIN(F) B TYPE 180° DIP