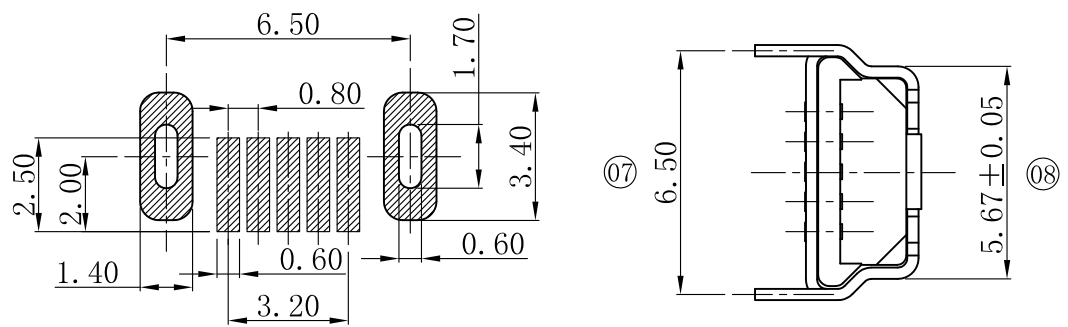


NOTE (Specifications):

- MATERIAL**
 HOUSING: LCP GLASS-REINFORCED THERMOPLASTIC UL 94V-0.
 SHELL: STEEL Or Copper Alloy
 CONTACT: COPPER ALLOY (C2680), T=0.30mm.
 CONTACT PLATING: PLATED GOLD IN MATING AREA, TIN ON SOLDER TALLS OVER NICKEL.
 SHELL PLATING: NICKEL PLATING
- ELECTRICAL CHARACTERISTICS**
 1. CURRENT RATING: 1.5AMP/Contact Terminal.
 2. DIELECTRIC WITHSTANDING VOLTAGE: 500V AC MIN.
 3. CONTACT RESISTANCE: 30mΩ MAX.
 4. INSULATION RESISTANCE: 1000MΩ MIN.
 5. ENVIRONMENTAL
 TEMPERATURE RANGE: -25° C TO +85° C.



RECOMMENDED PCB LAYOUT

RoHS Compliant

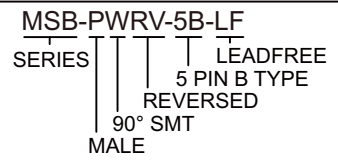
TOLERANCES ARE

MORETHANALL
 PCB CONNECTORS
 Cable ASSEMBLIES
 煜倫股份有限公司
 www.morethanall.com

DRAWING BY CY		X. ± .X ± 0.25 .XX ± 0.15 .XXX ± 0.05 ANG ±
CHECKED BY GENIUS		
UNIT / mm	SCALE 1 : 1	
DATE		
SIZE A4	PJECTION	



ORDER INFORMATION



DESCRIPTION: MINI USB 5P B TYPE MALE SMT式 LCP BLACK 鱼叉脚