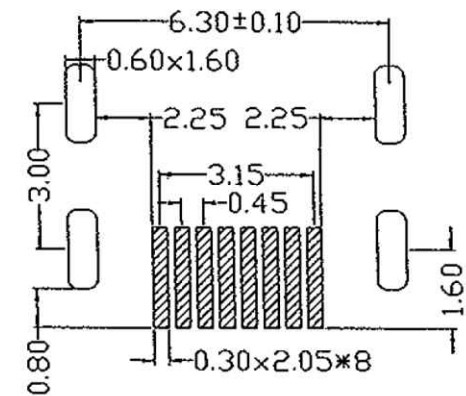


SECTION A-A



PCB LAYOUT

MSB-PW-8A-LF  
LEADFREE  
RoHS Compliant

- 1.Voltage: 30V AC
- 2.Current: 1.0A Max
- 3.Temperature: -55°C to +85°C
- 4.Contact Resistance: 30M Max
- 5.Insulation Resistance :100M Min
- 6.Dielectric Withstanding Voltage  
100V AC

- Material
- 1.Housing: Lcp
  - 2.Short Contact: Bronze
  - 3.Long Contact: Bronze
  - 4.Shell: Brass Nickel Plated

**MORETHANALL**  
CONNECTORS  
ASSEMBLIES

PART NO. MSB-PW-8A

DWG NO. MSB-PW-8A

FILE NO.

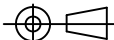
UNIT / mm

SCALE 1:1

CHECKED BY CY

DRAWING BY

PROJECTION



TOLERANCES ARE

- .X±
- .XX±
- .XXX±
- AWG

DESCRIPTION:

AREA

REVISIONS

HK

DATE

焯倫股份有限公司