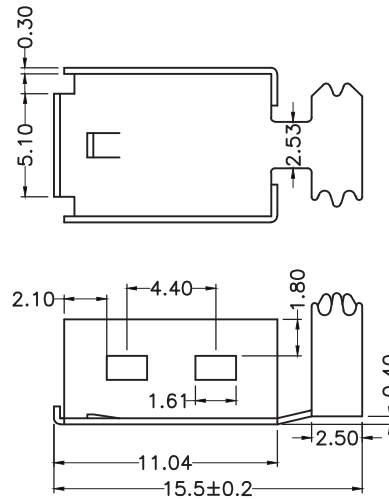
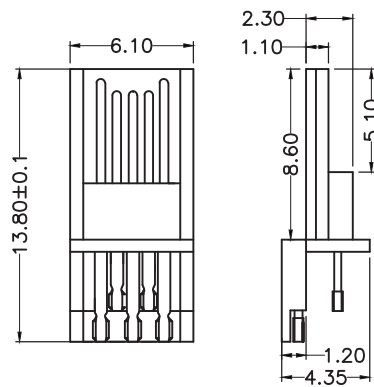


MINI USB 5P/M FRONT SHELL



MINI USB 5P/M BACK SHELL



MINI USB 5P/M HOUSING FRONT 5 BACK 5

MATERIALS

HOUSING: HI-TEMP PLASTIC(UL 94V-0),
 SHELL: SPCC, NICKEL PLATED
 TERMINAL: COPPER ALLOY, GOLD PLATED ON CONTACT AREA
 TIN PLATED ON SOLDER TAIL

SPECIFICATION

CURRENT RATING: 1 AMP MAX
 DIELECTRIC WITHSTANDING: 500V AC FOR ONE MINUTE
 CONTACT RESISTANCE: 30m OHMS MAX
 INSULATION RESISTANCE: 1000M OHMS MIN AT DC 500V
 OPERATION TEMPERATURE: -25°C~+85°C

RoHS Compliant

TOLERANCES ARE

MORETHANALL
 PCB CONNECTORS
 Cable ASSEMBLIES

煜倫股份有限公司

www.morethanall.com

DRAWING BY CY

CHECKED BY GENIUS

UNIT / mm SCALE 1 : 1

DATE

SIZE A4

X.±

.X±

.XX±

.XXX±

ANG±

PJECTION

照片框

ORDER INFORMATION

MSB-PS-5B5-LF
 SERIES | LEADFREE
 | 5P5C
 | SOLDER
 | MALE

DESCRIPTION: