

1. MATERIAL :
 - 1-1. HOUSING : PBT UL94V-0 ; COLOR : BLACK
 - 1-2. CONTACT : PHOSPHOR BRONZE
 - 1-3. SPRING: PHOSPHOR BRONZE
2. FINISH :
 - 2-1. CONTACT A : 10 MICRO INCHES MIN. GOLD PLATED
OTHER AREA:GOLD FLASH
SOLDER TAILS:BRIGHT TIN 60u"
UNDERPLATED NICKEL OVER ALL 50u" MIN
 - 2-2. SPRING: BRIGHT TIN 60u"
UNDERPLATED NICKEL OVER ALL 50u" MIN

MORETHANALL
PCB CONNECTORS
Cable ASSEMBLIES

煜倫股份有限公司

www.morethanall.com

RoHS Compliant

DRAWING BY CY

CHECKED BY GENIUS

UNIT/ mm

SCALE 1:1

DATE

SIZE A4

TOLERANCES ARE

X, ±
.X ± 0.20
.XX ± 0.10
.XXX ± 0.05
ANG ± 1°

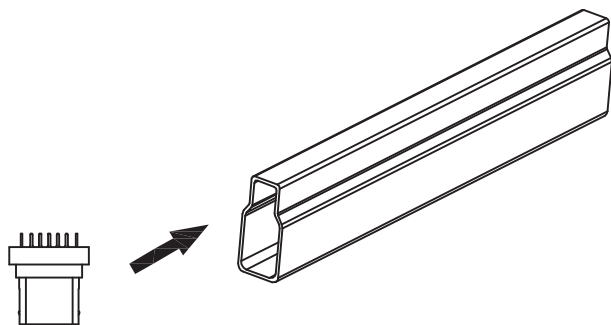
PJECTION



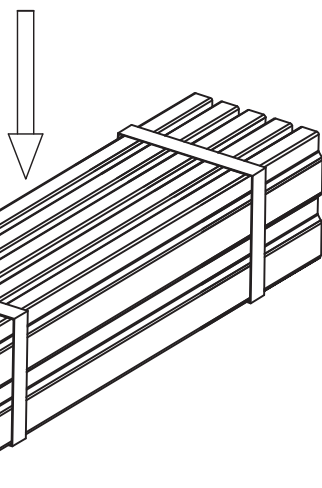
ORDER INFORMATION

MSB-PS-10D-LF
SERIES | LEADFREE
10 PIN D TYPE
SOLDER
MALE

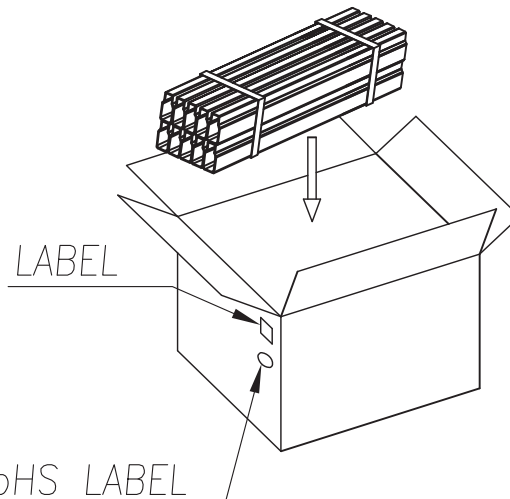
DESCRIPTION: MINI USB PLUG,10 PINS,CABLE MOUNT



CONNECTOR IN THE TUBE
38PCS/1TUBE

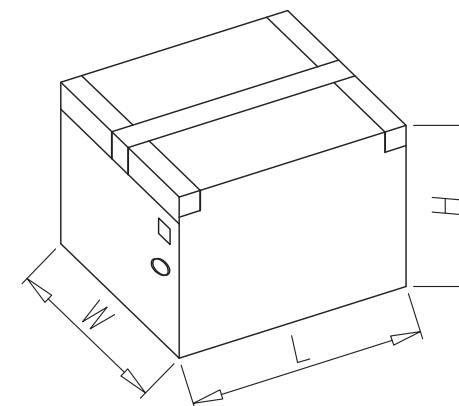


PUT 10 TUBES ON STACK AND PASTE
THE TAPE AS DRAWING



RoHS LABEL

PUT STACK TUBES INTO THE CARTON BOXES



PASTE THE TAPE LABEL AND
RoHS LABEL
ON CARTON BOXES AS DRAWING

PACKING MATERIAL

PM NAME	PM NO.	DIM.(LxWxH)/mm	QUANTITY
TUBE	PK-MU0004	365X6.8X15	600
CARTON BOXES	CB-003	415X297X242	1

PACKING QUANTITY

PCS/TU	PCS/STACK	PCS/CB
38PCS/TU	380PCS/STACK	22800PCS/CB

RoHS Compliant

MORETHANALL
PCB CONNECTORS
Cable ASSEMBLIES

煜倫股份有限公司

www.morethanall.com

DRAWING BY CY
CHECKED BY GENIUS
UNIT/mm SCALE 1:1
DATE
SIZE A4

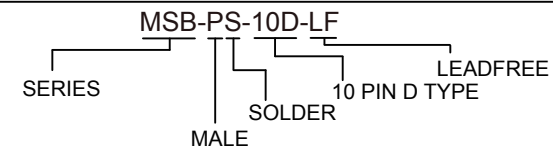
TOLERANCES ARE

X. ±
.X ± 0.20
.XX ± 0.10
.XXX ± 0.05
ANG ± 1°

P PROJECTION



ORDER INFORMATION



DESCRIPTION: MINI USB PLUG,10 PINS,GABLE MOUNT