

Note:

1.Material:

- 1.1 Insulator: NY9T UL 94-V0 rated.
- 1.2 Contact: Brass,t=0.25mm.
- 1.3 Shell: Cold rolled steel,t=0.30mm.

2.specification:

- 2.1 Current rating:1A MAX.
- 2.2 Dielectric withstanding voltage:250 v(ac) for minute.
- 2.3 Contact resistance: 30 mΩ max.
- 2.4 Insulation resistance: 1000 MΩ min at DC 250V.
- 2.5 Total mating force: 3.57 kgf max.
- 2.6 Total unmating force: 0.71 kgf min.
- 2.7 Temperature range: -25°C~+105°C.

3.Finishes:

- 3.1 Contacts: Gold flashed, 1u",3u",5u",15u", 30u".on Contact area
100u"-120u" Tin. Plating on soldertails
50u"-80u" Nickel .underplating over all
- 3.2 Shell: 50u"-80u" 銅底;80u"-100u"鍍鎳.

3	SHELL	1	Cold rolled steel	T=0.30±0.02mm	Nickel Plated
2	CONTACT	5	Brass	T=0.25±0.02mm	30u"
1	HOUSING	1	NY9T		Black
No.	Part Name	Q'ty	Material	Thickness	Finish

RoHS Compliant

TOLERANCES ARE

MORETHANALL
PCB CONNECTORS
Cable ASSEMBLIES

煜倫股份有限公司

www.morethanall.com

DRAWING BY CY

CHECKED BY GENIUS

UNIT / mm

SCALE 1 : 1

DATE

SIZE A4

PJECTION

X, ±
.X ± 0.30
.XX ± 0.20
.XXX ± 0.10
ANG ± 1°

照片框

ORDER INFORMATION

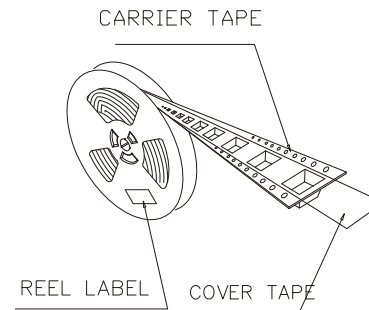
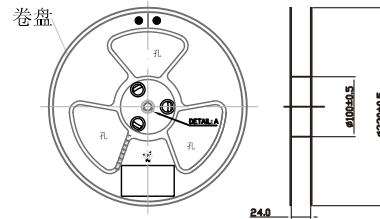
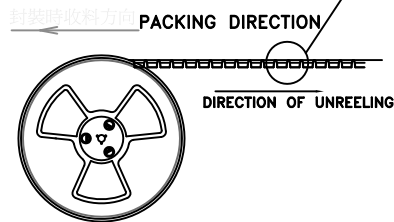
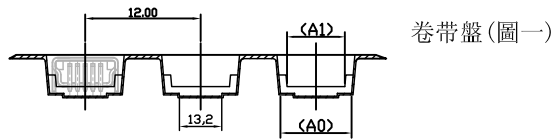
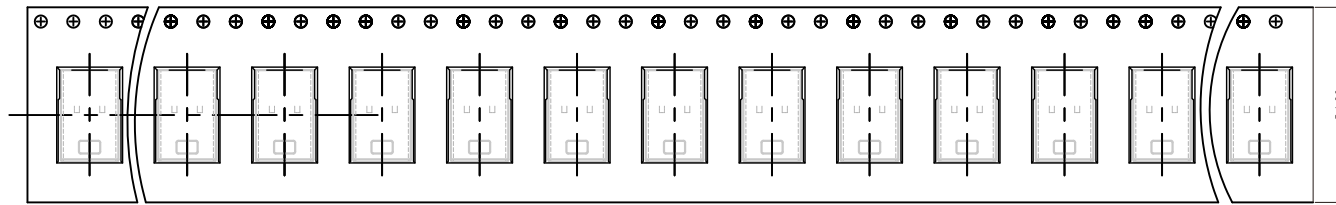
MSB-PRR-5B-LF
SERIES | | | LEADFREE
5 PIN B TYPE
REEL
DIP 90°
MALE

DESCRIPTION: MINI USB 5PIN B MALE (正向90°)

後段空 13 穴 CARRIER
THE CARRIER TAPE IS EMPTY

中間下料 1200 pcs
THE CARRIER TAPE WITH 400PCS PRODUCT

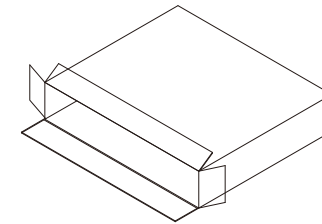
前段空 13 穴 CARRIER
THE CARRIER TAPE IS EMPTY



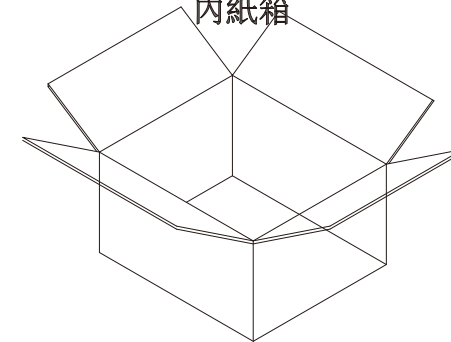
350 pcs / reel

包裝說明:

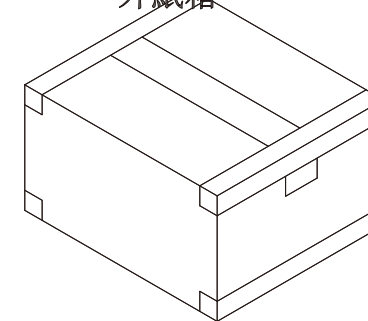
1. 每卷帶盤裝1200PCS,不可少數,成品在盤內SMT腳向下,裝好後使用自動卷裝機粘合上透明封膠. 如圖所示.
2. 將裝好的卷帶盤放入內紙箱內,每個內紙箱放1盤,用透明膠密封,再將封裝好的內紙箱放入外紙箱中,每個外紙箱放8個內紙箱,共有產品9.6K,最後用透明膠密封外紙箱. 如圖所示.
3. 紙箱外貼上環保標籤,合格標籤,產品規格說明,並且貼在外箱側面的箱面規格說明的右上方
(注意:REELS之標籤一律朝上)
4. 標籤貼於紙箱外側右上方.
5. 包裝材料:(JPL018,XZD012,RR001, ZX004,ZX009).



未封好
內紙箱



未封好
外紙箱



封好外紙箱

RoHS Compliant

TOLERANCES ARE

MORETHANALL
PCB CONNECTORS
Cable ASSEMBLIES

DRAWING BY CY

X, ±

CHECKED BY GENIUS

.X ±

UNIT / mm

SCALE 1 : 1

.XXX ±

DATE

ANG ±

SIZE A4

PJECTION

照片框

ORDER INFORMATION

MSB-PRR-5B-LF
SERIES | | | LEADFREE
5 PIN B TYPE
REEL
DIP 90°
MALE

煜倫股份有限公司

www.morethanall.com

DESCRIPTION: