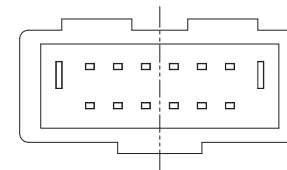
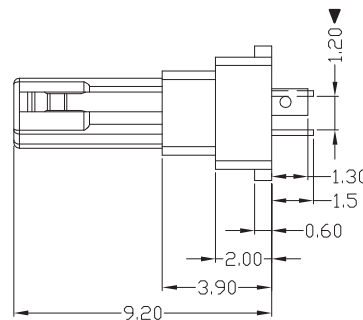


NOTES:

1. ELECTRICAL:
 - 1) VOLTAGE CURRENT RATING: 0.5AMP,30V AC;
 - 2) INSULATION RESISTANCE: 500MΩ MIN;
 - 3) CONTACT RESISTANCE: 50mΩ MAX;
 - 4) WITHSTANDING VOLTAGE: 250V AC;
 - 5) OPERATING TEMPERATURE:-55°C TO +85°C.
2. Mechanical:
 - 1) Mating Force: 35N MAX
 - 2) Unmating Force: 10N MIN.
3. DIMENSIONS MARKED "▼" TO BE CHECKED BY Q.C & IPQC.



Bill of materials:

NO	PARTS	MATERIAL	QTY	FINISHING
3	HOUSING	PBT	1	UL94V-0
2	SHRAPNEL	COPPER ALLOY	1	PLATED NICKEL
1	TERMINAL	COPPER ALLOY	12	PLATED GOLD/TIN

RoHS Compliant

TOLERANCES ARE

MORETHANALL
PCB CONNECTORS
Cable ASSEMBLIES

煜倫股份有限公司

www.morethanall.com

DRAWING BY CY

CHECKED BY GENIUS

UNIT / mm SCALE 1 : 1

DATE

SIZE A4

X ± 0.35
.X ± 0.30
.XX ± 0.25
.XXX ± 0.15
ANG ±

PJECTION

照片框

ORDER INFORMATION

MSB-PE-12B-LF
SERIES | LEADFREE
12 PIN B TYPE
EDGE CLIP
MALE

DESCRIPTION: