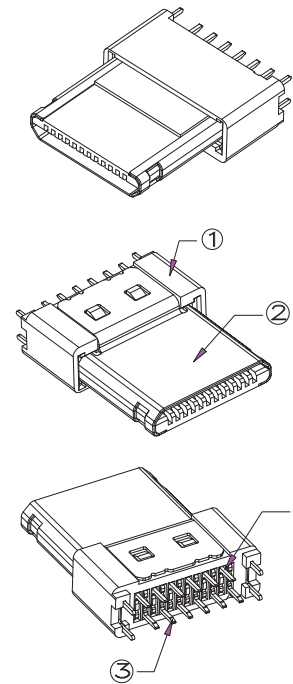
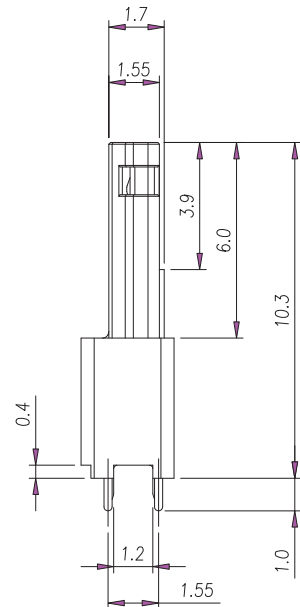
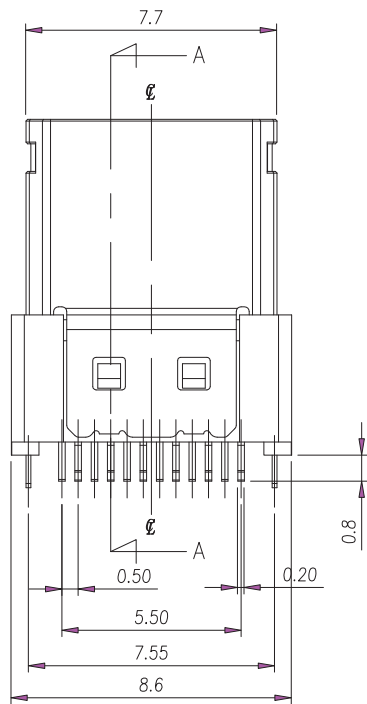
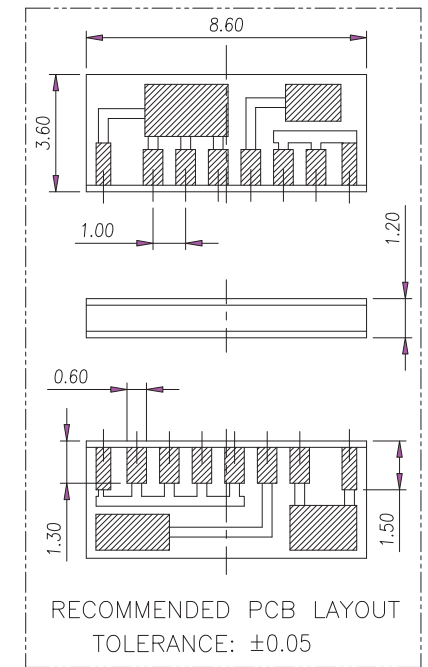


SECTION A-A



④	MALE_TERMINAL_B	COPPER ALLOY	GOLD	6	
③	MALE_TERMINAL_A	COPPER ALLOY	GOLD	6	
②	MALE_SHIELD	STAINLESS STEEL	NI	1	
①	MALE_HOUSING	LCP E6006L	BLACK	1	
ITEM	DESCRIPTIONs	MATERIAL	FINISH	Q'TY	NOTE

RoHS Compliant

TOLERANCES ARE

**MORETHANALL**  
PCB CONNECTORS  
Cable ASSEMBLIES

煜倫股份有限公司

www.morethanall.com

DRAWING BY CY

CHECKED BY GENIUS

UNIT / mm

SCALE 1 : 1

DATE

SIZE A4

X, ±  
.X ± 0.25  
.XX ± 0.10  
.XXX ± 0.05  
ANG ±

PJECTION

照片框

ORDER INFORMATION

MSB-PE-12A-LF  
SERIES | LEADFREE  
12 PIN A TYPE  
EDGE CLIP  
MALE

DESCRIPTION: MINI USB 12P (M) 單排成品