

RECOMMEND P.C.B LAYOUT

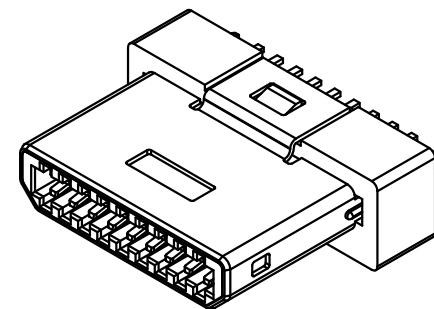


TABLE A

P/N	DESCRIPTION	SHELL
MSB-PDM-18B	MINI USB 18PIN(M) B TYPE (鍍金)	NI 100u"

1. MATERIAL :
 - 1-1. HOUSING : LCP UL94V-0 ; COLOR : BLACK
 - 1-2. CONTACT : PHOSPHOR BRONZE
 - 1-3. SHELL : PHOSPHOR BRONZE
 - 1-4. BACK COVER: PBT+30%GF.
2. FINISH :
 - 2-1. CONTACT : 10 MICRO INCHES MIN. GOLD PLATED
SOLDER AREA : TIN 80u"
UNDER PLATE : NICKEL
 - 2-2. SHELL : SEE TABLE A

RoHS Compliant

TOLERANCES ARE

MORETHANALL
PCB CONNECTORS
Cable ASSEMBLIES

DRAWING BY CY

CHECKED BY GENIUS

UNIT / mm

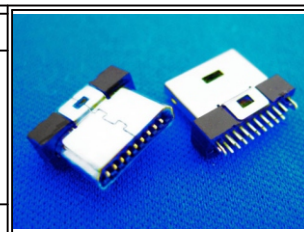
SCALE 1 : 1

DATE

SIZE A4

PJECTION

X.±
.X±
.XX±
.XXX±
ANG±



ORDER INFORMATION

MSB-PDM-18B-LF
SERIES | LEADFREE
| 18 PIN B TYPE
METAL
DIP 180°
MALE

煜倫股份有限公司

www.morethanall.com

DESCRIPTION: