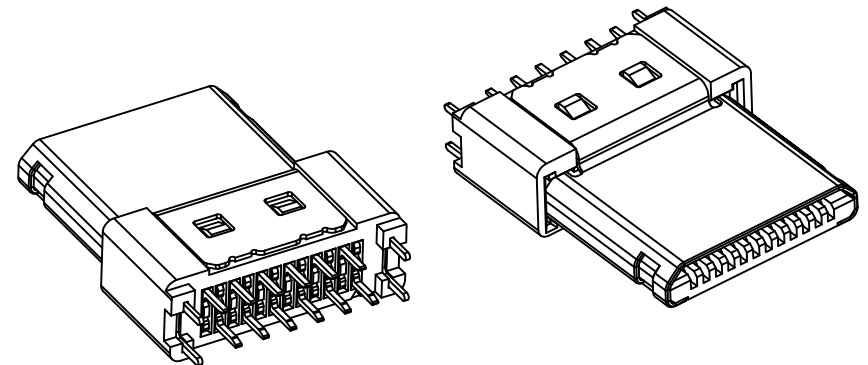


1. MATERIAL :
  - 1-1. HOUSING : LCP E6006L UL94V-0 ; COLOR : BLACK
  - 1-2. CONTACT : PHOSPHOR BRONZE
  - 1-3. SHELL : STAINLESS STEEL
2. FINISH :
  - 2-1. CONTACT : 10 MICRO INCHES MIN. GOLD PLATED  
UNDER PLATE : NICKEL
  - 2-2. SHELL : NICKEL PLATED OVER ALL



RoHS Compliant

TOLERANCES ARE

**MORETHANALL**  
PCB CONNECTORS  
Cable ASSEMBLIES

DRAWING BY CY

X.±

CHECKED BY GENIUS

.X±

UNIT / mm

SCALE 1 : 1

.XX±

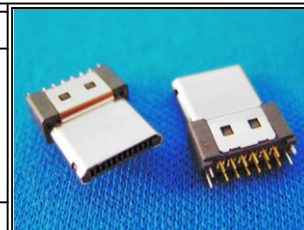
DATE

.XXX±

ANG±

SIZE A4

PJECTION



ORDER INFORMATION

MSB-PDM-12A-LF  
SERIES | LEADFREE  
12 PIN A TYPE  
METAL  
DIP 180°  
MALE

煜倫股份有限公司

www.morethanall.com

DESCRIPTION: MINI USB 12P (M) 單排成品