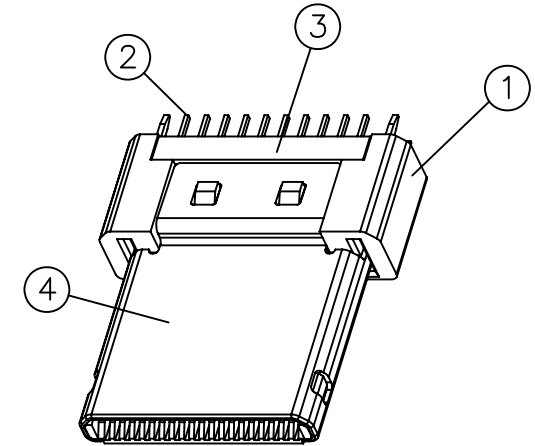
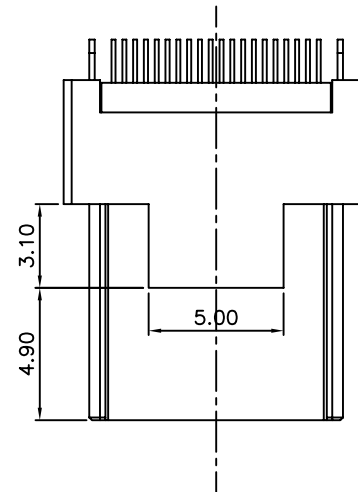
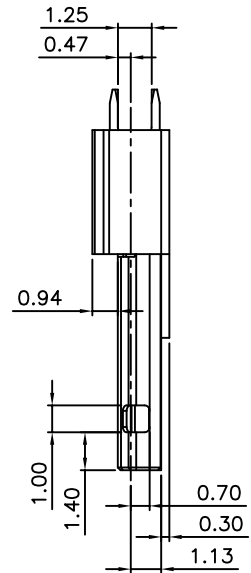
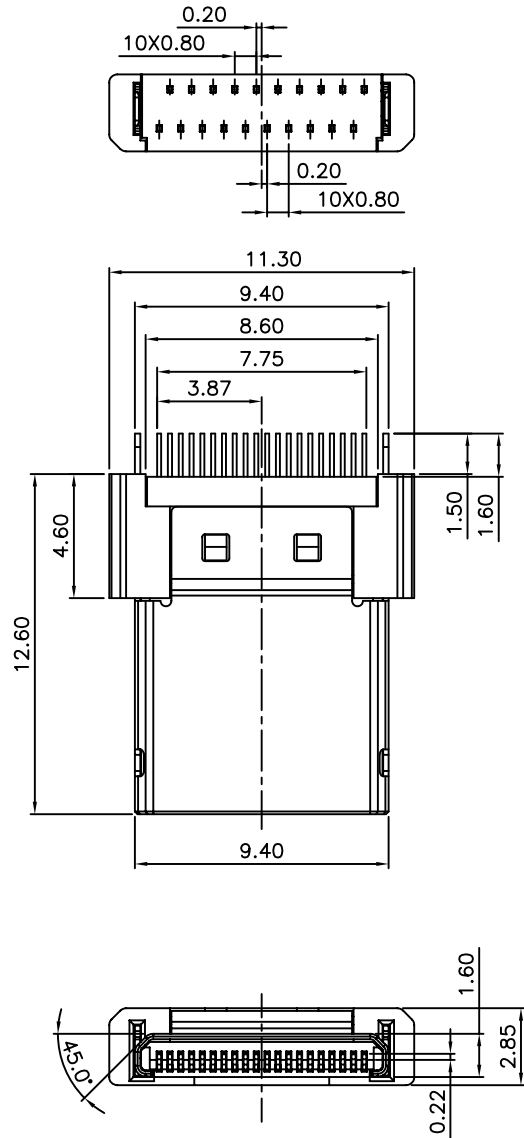


ITEM 項目	PARTS NAME 零件名稱	Q'TY 數量	MATERIAL 材質	FINISH/REMARK 處理/備註
1	HOUSING	1	NYLON PA-9T	(Black)
2	CONTACT	20	Phosphor Bronze	Over all :Gold flash Contact area :Au:5u"
3	PLUG	1	NYLON	(Black)
4	SHELL	1	SUS-304	NICKEL:100u"



NOTES

- 1.MATERIAL: See drawing
- 2.ELECTRICAL
 - 2.1.Insulator resistance: 1000M ohms Min. @ 250 VDC
 - 2.2.Withstanding voltage: 100 VAC / minute
 - 2.3.Contact resistance: 50m ohms Max.
- 3.MECHANICAL
 - 3.1.Mating force: 30N(3.06kgf) Max.
 - 3.2.Unmating force: 4.2N(0.43kgf) Min.
 - 3.3.Durability: 10000 cycles Min.
 - 3.4.Contact retention force: 4.2N(0.43kgf) Min
- 4.PACKING: 100pcs/tray

RoHS Compliant

TOLERANCES ARE

MORETHANALL
PCB CONNECTORS
Cable ASSEMBLIES

DRAWING BY CY

CHECKED BY GENIUS

UNIT / mm

SCALE 1 : 1

DATE

SIZE A4

PJECTION

X, ±
.X ±
.XX ±
.XXX ±
ANG ±



ORDER INFORMATION

MSB-PD-20-LF
SERIES | LEADFREE
20 WAY
DIP 180°
MALE

煜倫股份有限公司

www.morethanall.com

DESCRIPTION: